

JC110006

Recessed

Emergency Downlight 2W IP20 6000K Non-maintained White -inc
Open/Corridor lenses

Features & Benefits

- Non-maintained only
- 2W recessed downlight
- Ideal for emergency lighting in offices and open areas and corridors



General Information

Mounting	Recessed
Trade Name	Emergency Range
Environment	Indoor
Suitable For Zones	Outside zone 2
Product Group	Emergency
Color Finish	White
Product Shape	Round
Product Range	Recessed Downlight
Overall Dimensions	97.8 x 32.4
Height (mm)	32.4
Diameter (mm)	97.8
Product Weight(kg)	0.112
Light Source	LED
Recommended product location	Recessed ceiling mount, indoor use only
Method of fix	Spring clips
Product Aperture Size	75-85mm Ø
IP Rating	IP20
Origin of manufacturer	Made in China

Warranty	5 Year Warranty (including 5 years on batteries)(See Website for terms and conditions)
Operation Type	Non-maintained only
LED manufacturer/type	BelieveLight
Customs Tariff code**	9405119090

Electrical

Voltage Rating	220-240
Operating Frequency Hz	50/60Hz
Total Harmonic Distortion (THD)%	2
Input Electrical Connections	U/S live(black),Neutral(blue)

Emergency Data

LOR % in Emergency Mode	100
Minimum Battery run time	3
Recharge Time	24 Hours

Battery Data

Battery Specification	Lithium-ion 18650 3.2V 1500mAh
Battery Type	Lithium-ion
Nominal battery current	450-530mA
Recharge Time	24 Hours
Battery Total Weight(kg)	0.044

Thermals

Insulation Coverage	Do not cover with insulation
---------------------	-------------------------------------

Performance Data

Actual Lumen Output	158(Open area)123(corridor)
CRI: Ra	74
Correlated Color Temperature	6000
Beam Angle °	140(open area)160/65(corridor)
Photometry Available	Yes

Construction

Primary Material	Polycarbonate
------------------	----------------------

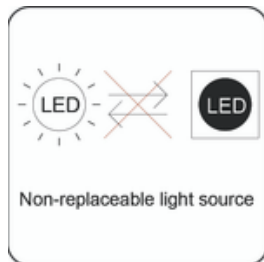
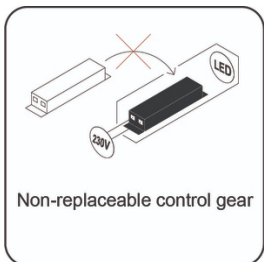
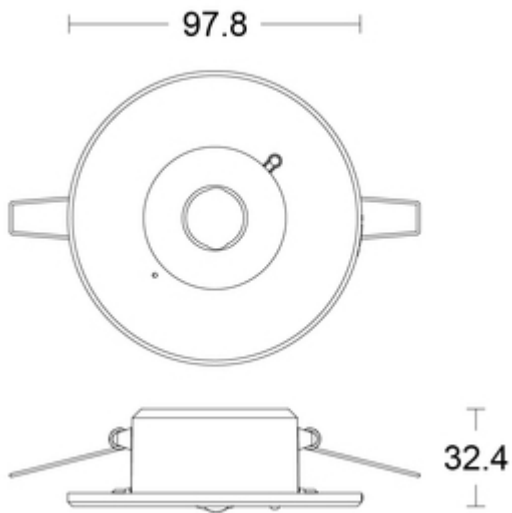
Packaging

Product carton overall dimensions(cm)	10.1 x 10.1 x 6.2 cm
Product Packaged Weight(kg)	0.155
Quantity Per Outer Carton	75
Outer carton(L)- cm	53
Outer carton(W)- cm	32

Outer carton(H)- cm	35
Outer carton Net weight- kg	11.63
Outer carton Gross weight- kg	12.23
Product Bar Code EAN-13 Number	5052544121951
Outer carton Bar Code ITF-14 Number	15052544121958

Standards & Approvals

Manufactured in accordance to	BS EN60598-2-22
CE Marked	yes
UKCA Marked	Yes
Date code/Purchase order No.	Yes
WEEE symbol	Yes
Certificate Of Conformity	Available on request
Accredited Members	LIA, ISO9001-2015, ISO14001-2015





**JCC Lighting Limited makes every effort to ensure that the Customs Tariff information in this document is timely and accurate. However, it's not possible for us to assure the absolute veracity and completeness of that information, as errors may occur. The placement of any inaccurate tariff information is completely unintentional. JCC Lighting Limited reserves the right, in its sole discretion, to correct any errors or omissions to the tariff code and to make any and all changes contained in this document at any time and without notice. It is the sole responsibility of the importer to ensure that the commodity code advised is correct for the products/goods being supplied by JCC Lighting Limited. JCC Lighting Limited does not assume any liabilities, losses, costs, and expenses arising out of or related to the importers use of this commodity code or the information related to the import of any JCC Lighting products.

JCC Lighting LTD, Lux Park, Chichester Business Park, City Fields Way, Tangmere, Chichester, West Sussex, PO20 2FT.
Sales: 01243 838999 (8am to 5pm Monday to Friday) Fax: 01243 838998 | sales@jcc.co.uk | www.jcc.co.uk
Company Registration Number: 03044848 | VAT Number: 918544112

This document is uncontrolled if printed, all information is subject to change

Version 21 [01/05/2024]