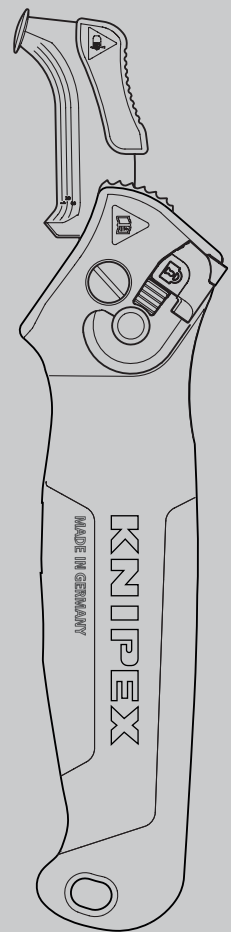


## Operating instructions

16 50 145 SB

**EN** Cable stripping knife with guide shoe and ratchet function



## CONTENTS

<b>1</b>	<b>General</b>	<b>3</b>
1.1	Notes on operating instructions	3
1.2	Symbols used	3
1.3	Copyright	4
1.4	Guarantee and warranty	4
<b>2</b>	<b>Safety</b>	<b>5</b>
2.1	Intended use	5
<b>3</b>	<b>Design and function</b>	<b>6</b>
3.1	Design	6
3.2	Function	6
<b>4</b>	<b>Operation</b>	<b>7</b>
4.1	Tips for cutting with the stripping knife	7
4.2	Five safety rules when working on electrical installations	7
4.3	Preparing the tool	7
4.4	Cable stripping using longitudinal cut	9
4.5	Cable stripping using circumferential cut	11
<b>5</b>	<b>Maintenance and Care</b>	<b>12</b>
5.1	Replacing the blade	12
5.2	Maintenance tip	13
<b>6</b>	<b>Technical data</b>	<b>13</b>
6.1	Technical data	13
<b>7</b>	<b>Recycling and disposal</b>	<b>13</b>

## 1 General

### 1.1 Notes on operating instructions

These operating instructions are designed to enable you to use your tool safely and efficiently.

The tool may only be used if it is in technically perfect condition.

As a consequence of technical developments, the illustrations and descriptions contained in these operating instructions may differ slightly from the tool actually delivered.

We do not accept any liability for damage caused by failure to observe these operating instructions.

### 1.2 Symbols used

All safety instructions in these operating instructions are indicated by corresponding symbols. The signal words at the beginning of each safety instruction express the extent of the hazard.



#### Level 1 risk source

This combination of symbol and signal word indicates an imminently hazardous situation that will result in death or serious injury if not avoided.



#### Level 2 risk source

This combination of symbol and signal word indicates a possibly hazardous situation that may result in death or serious injury if not avoided.






#### Level 3 risk source

This combination of symbol and signal word stands for important information that helps to prevent damage to property or the environment.

The following overview describes the safety symbols on the product packaging and in these operating instructions.

Symbol	Meaning
	Risk to life from electrical current
	Warning: Sharp blades
	Wearing protective gloves



Symbol	Meaning
	Wear safety glasses
	Always guide the blade away from your body when cutting
	Be aware of other people in the vicinity Never point the blade towards other people when cutting

### 1.3 Copyright

These operating instructions and all documentation supplied with this tool are protected by copyright and remain the property of KNIPEX.

The reprinting of these instructions, even in extract form, is only permitted with the written consent of KNIPEX Werk C. Gustav Putsch KG.

### 1.4 Guarantee and warranty

The manufacturer grants a statutory warranty in accordance with the current sales and delivery conditions. No further warranties or assurances are granted.

Within the warranty period, the warranty covers the rectification of all defects that can be traced back to material faults or manufacturing errors.

Wearing parts are excluded from the warranty.

The repair or replacement of a tool shall not result in an extension of the warranty period. Tools shall only be repaired or replaced with "as new" parts, whose function corresponds to that of the old parts. All defective and hence replaced parts are the property of the manufacturer.

Warranty claims shall expire in particular if:

- Damage is caused through improper operation, use for purposes other than those specified by the manufacturer, or poor maintenance.
- Repairs or conversions are carried out by unauthorized persons.
- Original accessories or spare parts from KNIPEX are not used.
- Defective components are not repaired immediately to minimise the extent of the damage and so as not to impair the safety of the tool (obligation to repair).

Furthermore, reference is made to the liability and warranty regulations of the current sales and delivery conditions.

## 2 Safety

### 2.1 Intended use

The tool is intended for the following uses:

- Stripping various insulation materials (e.g.: rubber, PVC, PUR)

Any use beyond the intended purpose or any unauthorized modification shall be considered improper. The operator shall be liable for damages resulting from improper use.

The tool is not insulated and does not protect against electric shock.

Please respect local gun laws.

Intended use also includes adhering to these operating instructions. They must be read in full before use.

---

### **DANGER**

#### **Risk to life from electrical current!**

Disconnect all cables from voltage before cutting!

Only work on voltage-free cables and lines!

---

### **WARNING**

#### **Warning: Sharp blades!**

Handling sharp blades is dangerous. For this reason, make sure to handle your tools with care when working.

Always guide the blade away from your body when cutting.

Never point the blade towards other people when cutting.

Always fold the blade back into the housing when the knife is not in use.

---

### **WARNING**

#### **Wearing protective gloves**

Wear gloves with at least cut level B resistance (according to DIN EN 388:2019-03) when using the knife.

---

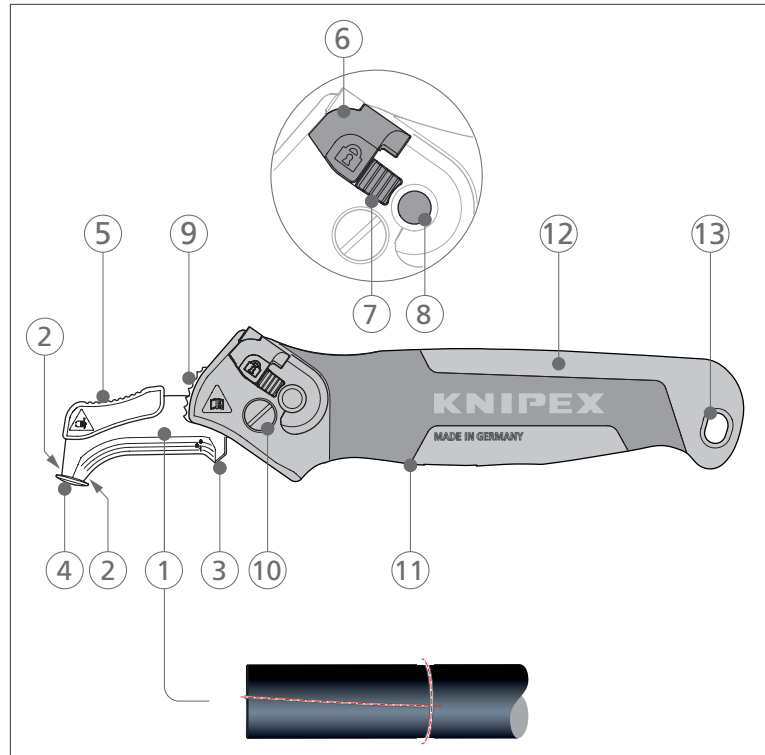
### **WARNING**

#### **Wear protective goggles**

Wear protective goggles when using the knife!

### 3 Design and function

#### 3.1 Design



Stripping knife design

- 1 Folding blade
- 2 Cutting edge for longitudinal cuts
- 3 Triangular cutting edge for circumferential cuts
- 4 Guide shoe
- 5 Thumb rest
- 6 Safety lock
- 7 Safety slider
- 8 Safety push button
- 9 Teeth for ratchet function
- 10 Blade fastening screw
- 11 Blade holder
- 12 Housing
- 13 Tether attachment point for attaching a fall-arrest device (e.g. 00 50 04 BK set)

#### 3.2 Function

Various insulation materials can be stripped using the stripping knife (e.g.: rubber, PVC, PUR).

## 4 Operation

The tool may only be used by suitable, instructed and qualified specialist personnel.

Work on electrical installations may only be carried out by qualified electricians with the appropriate training.

### 4.1 Tips for cutting with the stripping knife

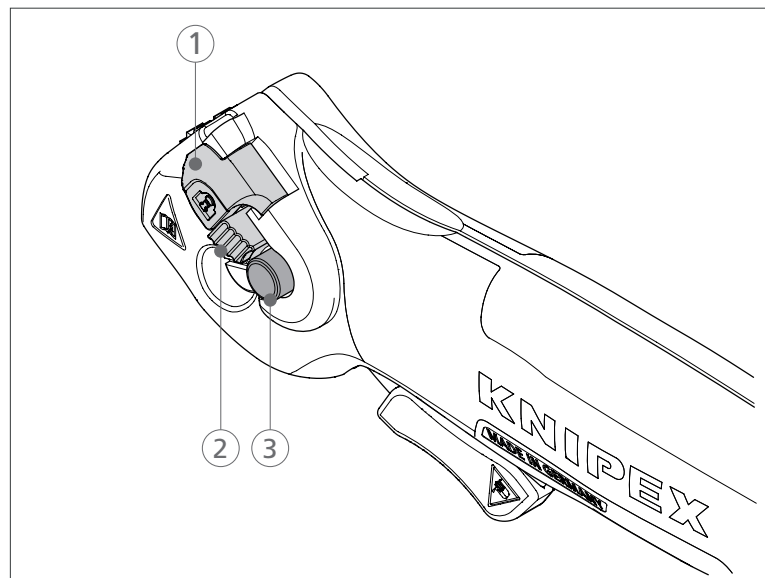
- ALWAYS cut away from the body!
- Be aware of other people in the vicinity!
- No part of the body may be in the extension of the cutting line!
- Stand diagonally to the cut.
- Always wear cut-resistant gloves when cutting.
- The tool must be in good condition (sharp blade, sturdy handle).
- Never leave open knives unattended!
- Always fold the blade back into the housing when the knife is not in use.

### 4.2 Five safety rules when working on electrical installations

1. De-energise the system.
2. Secure it to prevent it from being switched back on.
3. Verify that no current is present.
4. Earth and short circuit.
5. Cover or block off adjacent energised parts.

### 4.3 Preparing the tool

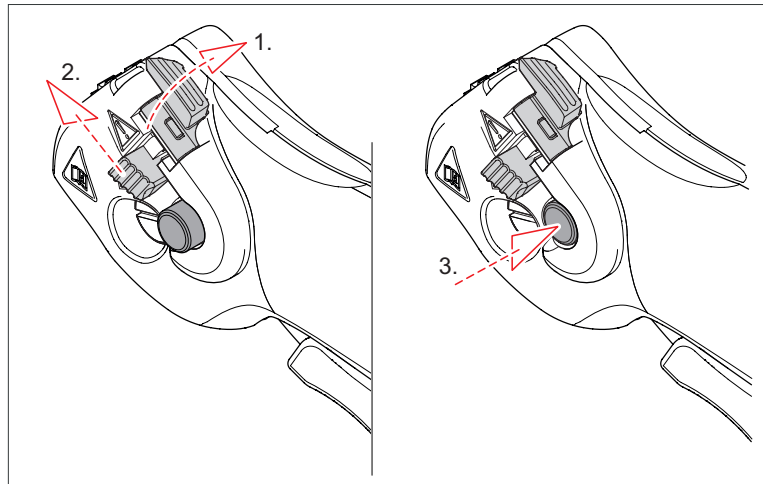
The stripping knife features a triple safety concept comprising a lock, slide and push button. This prevents accidental opening or closing of the knife.



Elements of the safety concept

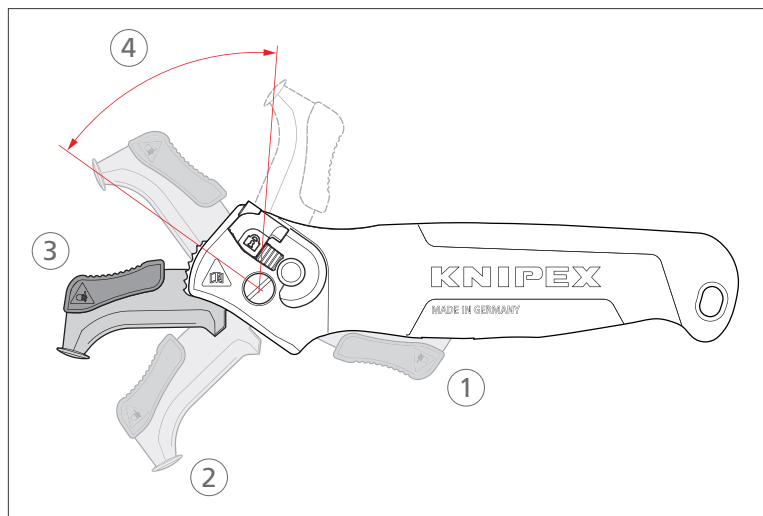
- 1 Lock
- 2 Slider
- 3 Push button

## OPERATION



Unlocking the tool

1. Fold open the lock.
2. Push the slider upwards.
3. Press the push button at the same time.
4. Guide the blade out of the housing and into the desired detent position.
5. **Important:** Close the lock.  
If it cannot be closed, the slider is not in the locked position.  
**Note: Check whether a foreign body is lodged between the slider and the housing!**



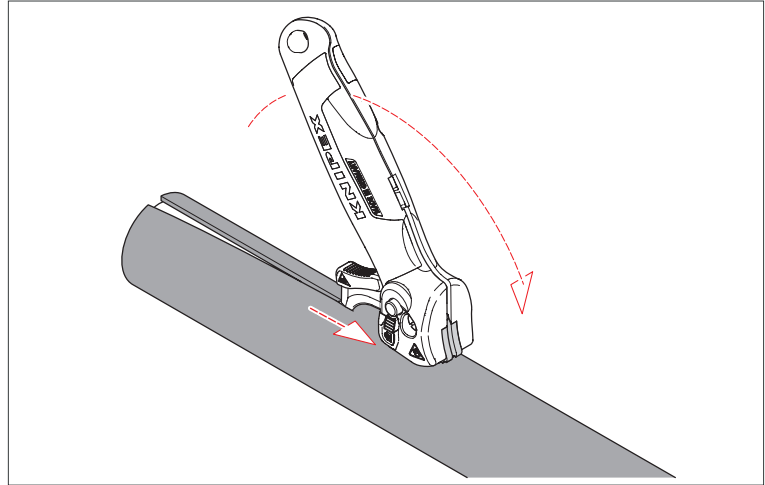
Blade detent positions

- 1 Transport position
- 2 Cutting position for small diameter circumferential cuts
- 3 Cutting position for circumferential/longitudinal cut
- 4 Cutting position for longitudinal cut with ratchet (blade can be moved freely)

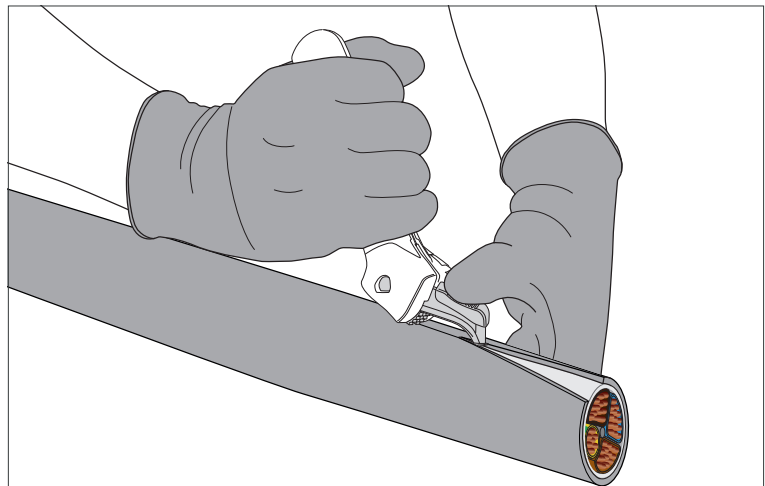
## 4.4 Cable stripping using longitudinal cut

### 4.4.1 Longitudinal cut with ratchet function

The ratchet function significantly lowers the cutting force required and reduces the risk of injury.



Longitudinal cut with ratchet function

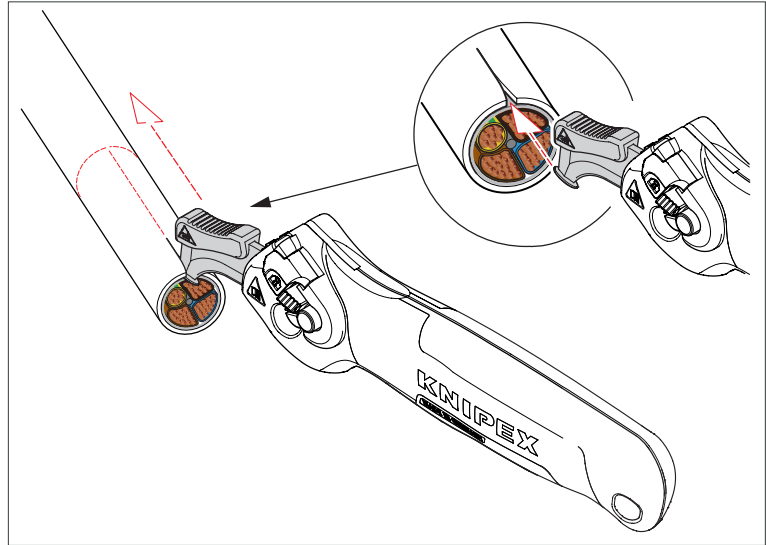


Longitudinal section application example game

- » Place the blade in the cutting position for longitudinal cut with ratchet.  
**Note: The blade can move freely in this position.**
- » Position the guide shoe under the cable insulation and the teeth on the cable.
- » Move the handle in the cutting direction and back again. Apply light pressure to the thumb rest.
- » Repeat this procedure until the desired length has been cut.

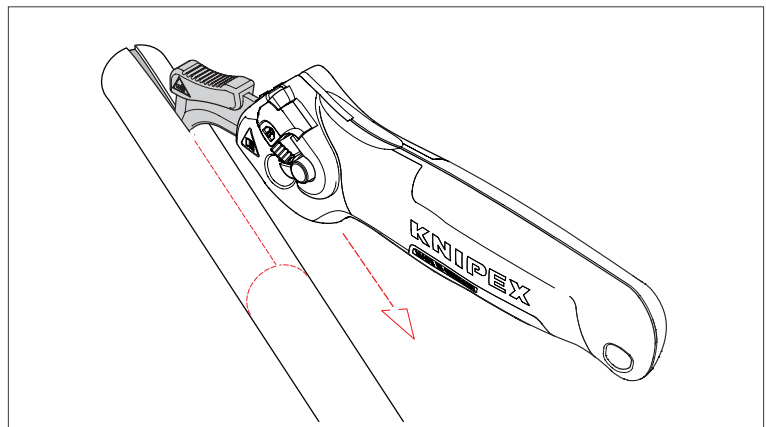
## 4.4.2 Longitudinal cut by pushing or pulling

When the blade is fastened in the cutting position for the longitudinal cut, the cable insulation can be cut lengthwise by pushing or pulling the knife.



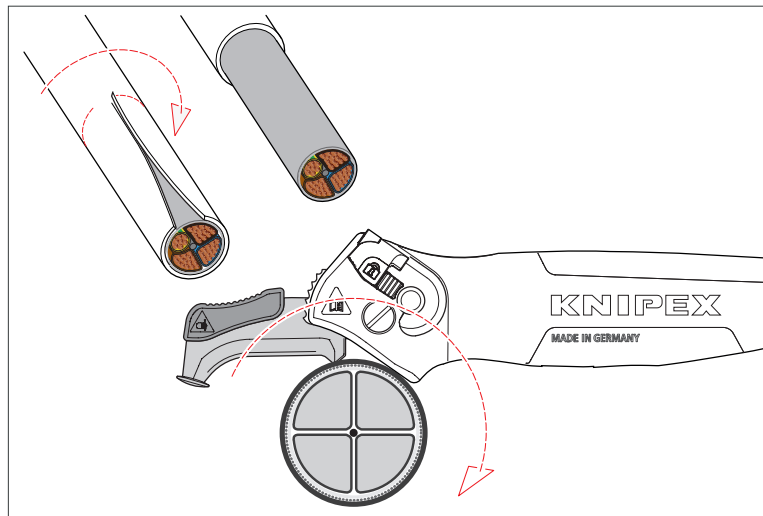
Longitudinal cut on cables by pushing the knife

- » Bring the blade into the cutting position for circumferential/longitudinal cut.
- » Position the guide shoe under the cable insulation.
- » Cut the cable insulation by pushing or pulling the knife.



Longitudinal cut on cables by pulling the knife

#### 4.5 Cable stripping using circumferential cut



Circumferential cut of cables

Note: Only scratch the cable sheath. Excessively deep cuts can damage the insulation under the sheath!

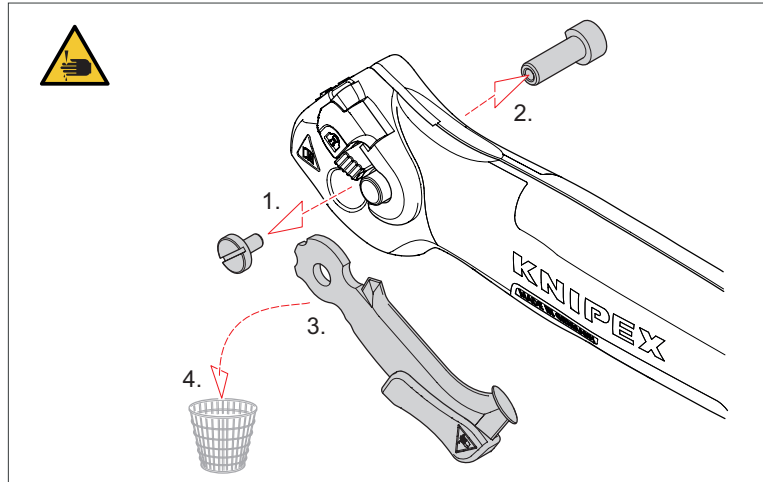
- » Bring the blade into the cutting position for circumferential/longitudinal cut.
- » Position the tip of the blade on the cable and cut into the material with light pressure.
- » Pull the knife around the cable.

## 5 Maintenance and Care

### 5.1 Replacing the blade

Note: Always change the blade in the transport position!

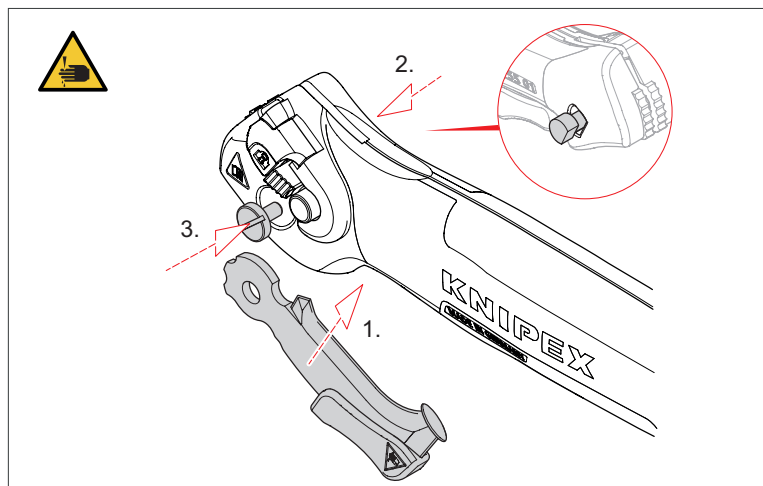
#### 5.1.1 How to change the blade



How to change the blade

1. Remove the fastening screw using a slotted screwdriver.
2. Push out the bolt of the fastening screw.
3. Remove the blade. **Caution: sharp blade!**
4. Dispose of the used blade properly.

#### 5.1.2 Installing a new blade



Installing a new blade

1. Load the blade in the transport position.  
**Caution: Sharp blade!**
2. Push the bolt all the way into the opening.
3. Install the fastening screw using a slotted screwdriver.

### 5.2 Maintenance tip

Lubricate the moving parts (blade bearings) regularly with oil (e.g. industrial oil).

## 6 Technical data

### 6.1 Technical data

Technical data	Unit	
Article number cable stripping knife	–	16 50 145 SB
Item number of the spare blade	–	16 50 145 E01
Item number of spare safety lock	–	16 50 145 E02
Length	mm	146
	inches	5 <sup>3</sup> / <sub>4</sub>
Width	mm	30
	inches	1 <sup>3</sup> / <sub>16</sub>
Height	mm	42
	inches	1 <sup>5</sup> / <sub>8</sub>
Weight	g	100
	lbs	0.22
Max. cutting depth	mm	7
	inches	1/4

## 7 Recycling and disposal

Ensure that the dismantled parts of the product are properly recycled.



**KNIPEX-Werk**  
**C. Gustav Putsch KG**

42337 Wuppertal

Tel.: +49 202 – 47 94-0  
Fax: +49 202 – 47 74 94

[info@knipex.com](mailto:info@knipex.com)  
[www.knipex.com](http://www.knipex.com)