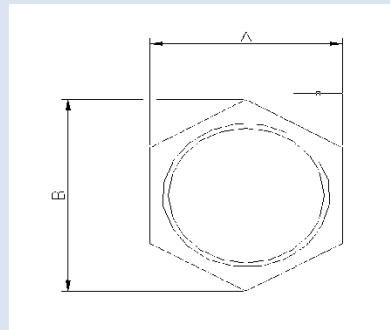


LNB RANGE - BRASS NICKEL PLATED

METRIC LOCK NUT RANGE .

Product ID: **LNB – BRASS NICKEL PLATED METRIC LOCK NUT RANGE**

TECHNICAL FEATURES:



- BRASS NICKEL PLATED CONSTRUCTION
- ALSO AVAILABLE IN STEEL AND STAINLESS STEEL - GRADE 316
- METRIC THREADS

TECHNICAL DIMENSIONS

CATALOGUE NUMBER	THREAD SIZE	DIMENSION – A (MM)	DIMENSION – B (MM)	THICKNESS (MM)	Maximum torque (NM)	WEIGHT (G)
LNB-12	M12 X 1.5	16.0	19.0	4.0	15	5
LNB-16	M16 X 1.5	21.0	23.0	4.0	20	7
LNB-20	M20 X 1.5	25.0	28.0	4.0	25	10
LNB-25	M25 X 1.5	30.0	32.5	4.5	30	12
LNB-32	M32 X 1.5	40.5	45.5	5.0	35	26
LNB-40	M40 X 1.5	50.5	55.5	5.0	35	40
LNB-50	M50 X 1.5	61.5	67.5	6.0	40	60
LNB-63	M63 X 1.5	73.0	81.0	6.5	40	72