

### DALLAS EXPRESS LED BACKLIT PANEL

20W/28W/32W, IP20



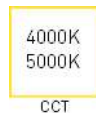
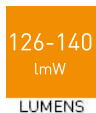
## PRODUCT INFORMATION DOCUMENT

### FEATURES

- The new DALLAS EXPRESS is our first multiwattage panel range allowing to select between three powers and lumen outputs to suit any application requirements
- Allows compliance with project requirements for Low Glare in offices or classrooms and all other parts of the building.
- Available as UGR<22 and UGR<19
- Very high efficacy exceeding 130 lumens per circuit watt
- Emergency pack available providing high lumen light output on mains failure
- Includes mounting point for a safety strap
- Uses Backlit luminaire construction design

### CONSTRUCTION

- White powder coated aluminium frame
- Polystyrene TPa rated diffuser



Product Code:	RDLX4060		RDLX5060	RDLX4060UGR	RDLX4060UGRE		RDLX5060UGR
Standard	RDLX4060E				RDLX4060UGRE		
Emergency	RDLX4060E				RDLX4060UGRE		
Comparable to:	4x18W T8	4x18W T8	4x18W T8	4x18W T8	4x18W T8		4x18W T8
Total Power (W):	19.5/27.3/31.6	19.5/27.3/31.6	19.5/27.4/31.6	19.4/27.4/31.7	19.4/27.3/31.6		20.3/28.2/32.6
Power Factor:	0.9	0.9	0.9	0.9	0.9		0.9
Total Light Output (lm):	2730/3800/4320	2730/3800/4320	2690/3760/4250	2700/3760/4260	2700/3760/4270		2660/3200/3620
Total Emergency Light Output (lm):	NA	NA	NA	NA	NA		NA
Efficacy (lm/cctW):	140/139/136	138/137/134	138/137/134	140/137/135	140/137/135		131/129/126
Beam Angle (deg):	110	110	110	90	90		90
Lux at 1m (lux):	930/1400/1470	930/1400/1470	910/1270/1440	1250/1740/1970	1250/1740/1970		1240/1690/1910
Emergency Lux at 1m (lux):	NA	NA	NA	NA	NA		NA
CCT (K):	4000	4000	5000	4000	4000		5000
CRI:	80	80	80	80	85		80
IP:	20	20	20	20	20		20
Operation Temperature (°C):	-20 ≤ Ta ≤ +40	-20 ≤ Ta ≤ +40	-20 ≤ Ta ≤ +40	-20 ≤ Ta ≤ +40	-20 ≤ Ta ≤ +40		-20 ≤ Ta ≤ +40
Inrush Current:	7.76A/38us	7.76A/38us	7.76A/38us	6.6A/12us	6.6A/12us		6.6A/12us
RG Value:	0	0	0	0	0		0
SDCM:	6	6	6	6	6		6
Pst LM:	NA	NA	NA	NA	NA		NA
SVM:	NA	NA	NA	NA	NA		NA
Energy Class:	C	C	C	C	C		C
Rated Life to L70B50 (Hrs):	50000	50000	50000	50000	50000		50000
Dimensions LxWxH (mm):	595x595x34	595x595x34	595x595x34	595x595x34	595x595x34		595x595x34

#### Separate Control Gear Information

Type of Light Source:	LED	LED	LED	LED	LED	LED
Full Load Efficiency (%):	89	89	89	89	89	89
P <sub>NET</sub> (W):	NA	NA	NA	NA	NA	NA
Dimensions (mm):	170x40x25	170x40x25	170x40x25	170x40x25	170x40x25	170x40x25

Product is certified to all the relevant standards.

Please contact our technical department for market specific compliances.

PLEASE NOTE: INFORMATION IN THIS DOCUMENT MAY BE SUBJECT TO CHANGE WITHOUT PRIOR NOTICE

IRE: TEL: +353 1 709 9000  
 UK: TEL: 0800 973 220  
 AUS: TEL: +61 7 3890 5444  
 NZ: TEL: +64 03 668 5285

WEB: ROBUS.COM  
 WEB: ROBUS.COM  
 WEB: ROBUS.COM.AU  
 WEB: ROBUSLED.CO.NZ

LED GROUP EUROPE · UK · AUSTRALIA · NEW ZEALAND · ASIA · MIDDLE EAST · AFRICA

### DALLAS EXPRESS LED BACKLIT PANEL

20W/28W/32W, IP20

#### Cone Illuminance Diagram

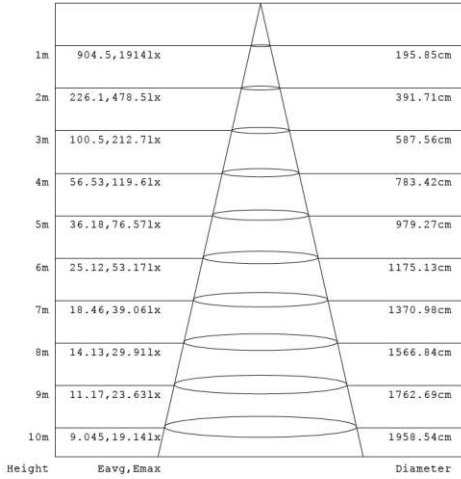
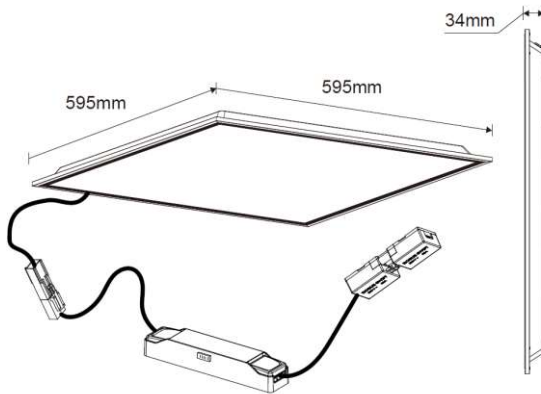


Diagram for RDLX5060UGR-01 at 32W. Other diagrams available on request

#### Dimension Diagram



#### Sensor Data

Time Off Delay:	NA
Illuminance Switching Range:	NA
Sensitivity Range (%):	NA
Mounting Height (max):	NA
Detection Zone Diameter (max):	NA

#### Polar Intensity Diagram

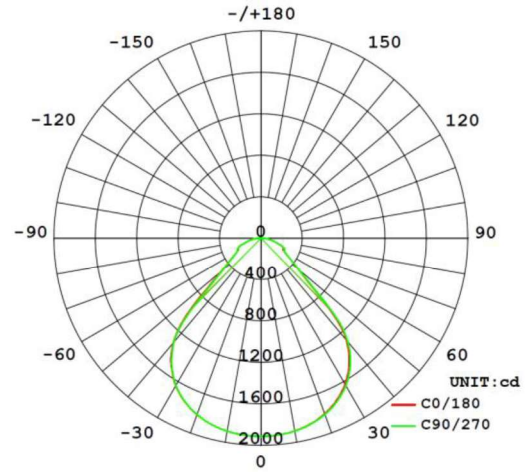


Diagram for RDLX5060UGR-01 at 32W. Other diagrams available on request

#### Accessories

R3EMPK4-PSU	3 Hour Emergency Pack with LiFePO4 Battery
HED2040-D	1-10V, DALI and Push dim driver available
RDLSSST	Safety Strap kit for DALLAS Panels
RDL6060SF-01	Surface Mount Box Kit for 600x600 panel
	White 70mm deep Flat Pack
RDLSSUS-4W	1.5m Stainless Steel Suspension Kit