

OUTDOOR

ROBUS®

HILUME 10W, 20W, 30W, 50W, 100W LED, IP65 Flood Light, Standard, PIR, 4000K

The simple aesthetics of the new range of Hilume floods look attractive and provide outdoor lighting solutions for Domestic, Commercial or Industrial applications. High energy savings are achieved with a range of lumen packages comparable to Metal halide and Halogen, whilst PIR variants help further reduce running costs.



Applications:

- Garages, Workshops & Industrial units
- Loading areas
- Work-stations
- Show room features & Exhibition stands
- Decking areas & Garden features
- Drives & Paths
- Sign illumination
- Church halls

Construction:

Black powder coated die-cast aluminium body
Tempered glass frosted diffuser
Angled Galvanised mounting bracket
Stainless steel external fixings

Features and Benefits:

- The Hilume is an extensive range of floods from 10W to 100W. This means that almost any small to medium size application can be catered for with the lumen packages in the range.
- High quality powder coated die-cast aluminium body which has been applied by using an electrostatically process ensuring that the fitting has a complete coating.
- A tempered glass frosted diffuser is used to provide a low glare uniform light that allows an even coverage of the area.
- A beam angle of 100 degrees ensures that good illumination of the area is achieved for vehicular or pedestrian access.
- While all models are controllable by external sensors, PIR versions are available in 20W and 30W for additional energy savings which ensures lighting is only when required and has:
 - Adjustable sensitivity so the detection zone can be trimmed to avoid passers-by triggering lights on
 - Time off delay selection
 - Lux level switching point for dusk to dawn operation
 - Manual over-ride functionality is also included so light will be available for up to 8 hours before reverting back to automatic
- A pre-drilled angled stirrup mounting bracket allows the position of mounting holes to be marked, drilled and the fitting fixed to the surface without removing the bracket from the fitting.
- The fitting is pre-wired to allow termination into a junction box which avoids the possibility of the IP rating being compromised during on-site connection.
- The Hilume range utilises high quality, long life, surface mount SMD LED's mounted on a rectangular PCB gear to provide:
 - High light output, low power consumption and high efficacy for large energy savings with short payback periods
 - Low lumen & CCT depreciation for consistent light and colour over life
 - A long LED Rated Life without annoying and often inconvenient lamp changes at height
- The LED's are also Solid State with no heat filaments, electrodes or seals and have no cool down or warm up time so:
 - Are rugged and will not fail through vibration or hot to cold temperature changes so provide huge maintenance cost savings
 - Can be used in conjunction with presence detectors to provide "instant on/off" for additional energy savings without detriment to LED life as is the case with traditional light sources

PLEASE NOTE: INFORMATION IN THIS DOCUMENT MAY BE SUBJECT TO CHANGE WITHOUT PRIOR NOTICE

IRE: TEL: +353 1 709 9000
AUS: TEL: +61 7 3890 5444

WEB: WWW.ROBUS.COM
WEB: WWW.ROBUS.COM.AU

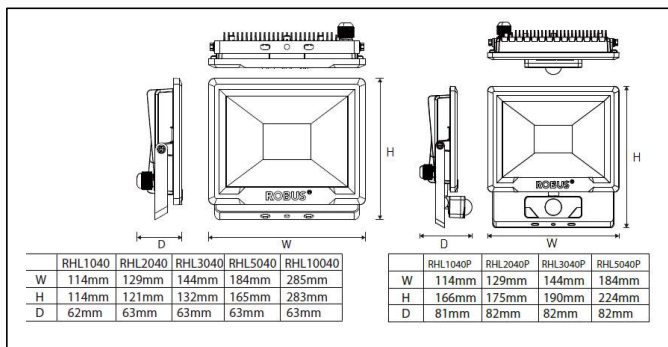
LED GROUP EUROPE · AUSTRALIA · ASIA · MIDDLE EAST · AFRICA

OUTDOOR

ROBUS®

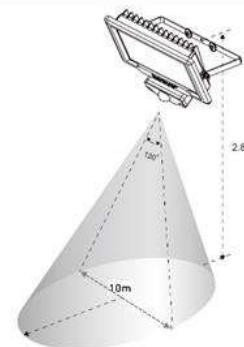
HILUME 10W, 20W, 30W, 50W, 100W LED, IP65 Flood Light, Standard, PIR, 4000K

Product Code:	Standard 4000K: PIR 4000K:	RHL1040-04 NA	RHL2040-04 RHL2040P-04	RHL3040-04 RHL3040P-04	RHL5040-04 NA	RHL10040-04 NA
Comparable to (Halogen):		75W	150W	200W	350W	500W
Total Power (W):		10.6	19.7	28.0	48.3	94.6
Total Light Output (lm):		980	1,730	2,190	3,900	7,440
Efficacy (lm / cctW):		93	88	78	81	79
Illuminance at 1m (lux):		430	760	940	1,590	3,010
Beam Angle (deg):		100	100	100	100	100
CCT (K):		4,000	4,000	4,000	4,000	4,000
CRI (Ra):		80	80	80	80	80
Rated Life (hrs):		20,000	20,000	20,000	20,000	20,000
Warranty (yrs):		2	2	2	2	2
Ingress Protection (IP):		65	65	65	65	65
Impact Rating (IK):		05	05	05	05	05
Operating Temperature (°C):		-20 ≤ Ta ≤ +40	-20 ≤ Ta ≤ +40	-20 ≤ Ta ≤ +40	-20 ≤ Ta ≤ +40	-20 ≤ Ta ≤ +40
Operating Voltage (Vac):		220-240	220-240	220-240	220-240	220-240
Power Factor (PF):		0.6	0.6	0.99	0.99	0.99
Height (mm):		114	121/175	132/190	165	283
Width (mm):		114	129	144	184	285
Depth (mm):		62	63/82	63/82	63	63
Box Qty:		1	1	1	1	1
Weight (kg):		0.40	0.4/0.45	0.48/0.55	0.82	1.68



Sensor data:

Optimum Mounting Height:	2.5-4.0
Max Detection Diameter (at 3m):	10m
Time Delay:	10s to 10min
Lux Settings:	2lux, to 2000lux
Adjustable Detection Range:	7 - 10m



Standards & Approvals:

Complies with: RCM, SAA

Cone Illuminance Diagram:

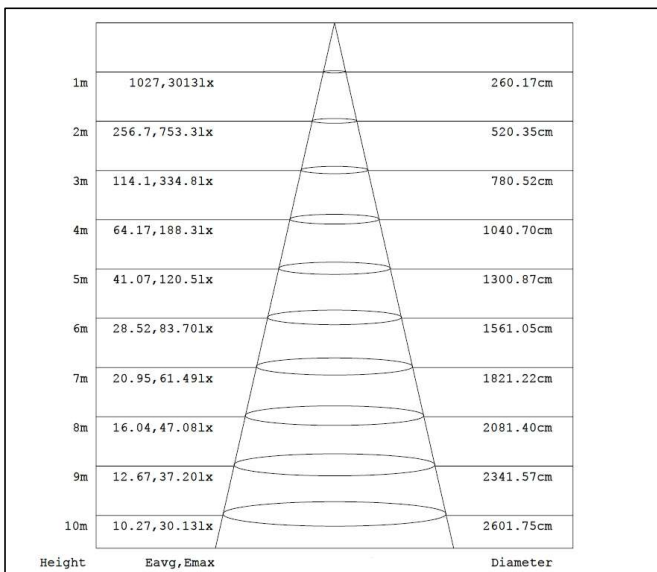


Diagram for RHL10040-04 in 4,000K. Other diagrams available on request

PLEASE NOTE: INFORMATION IN THIS DOCUMENT MAY BE SUBJECT TO CHANGE WITHOUT PRIOR NOTICE

IRE: TEL: +353 1 709 9000
AUS: TEL: +61 7 3890 5444

WEB: WWW.ROBUS.COM
WEB: WWW.ROBUS.COM.AU



Polar Intensity Diagram:

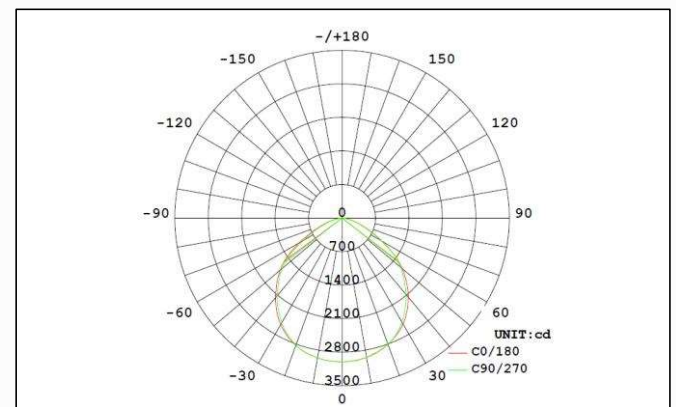


Diagram for RHL10040-04 in 4,000K. Other diagrams available on request