

# ROBUS®

## EMERGENCY

### EBLANA DUAL TEST

4.3W, IP65



## PRODUCT INFORMATION DOCUMENT

### CONSTRUCTION

- Polycarbonate base and diffuser
- 16mm/PG9 gland entry cut-outs on ends, top & rear

### FEATURES

- EBLANA DUAL TEST allows selection between Manual Test facility and Self Test facility that fully automates testing and maintenance process
- LiFePO4 battery technology provides fast charge a high number of charge/discharge cycles and a 3 hour emergency light output
- Hinged gear tray allowing for ease of wiring and installation
- High impact rating of IK08
- Double sided exit accessory available allowing removal of existing diffuser and conversion to double sided exit (R8MLEDD)



WARRANTY



LIFETIME



LUMENS PER W



IK RATING



IP RATING



OPERATING VOLTAGE



BEAM ANGLE



CCT



SAFETY CLASS



BATTERY



EMERGENCY WARRANTY

Product Code:	Opal R8MDT-01	Prismatic R8MPDT-01
Comparable to:	8W T5 Fluorescent	8W T5 Fluorescent
Total Power (W):	4.3	4.3
Power Factor:	0.5	0.5
Total Light Output (lm):	240	270
Total Emergency Light Output (lm):	150	170
Efficacy (lm/cctW):	56	63
Lux at 1m (lux):	70	110
Emergency Lux at 1m (lux):	40	70
CCT (K):	6500	6500
CRI:	80	80
SDCM:	6	6
UGR:	18.9	18.9
IP:	65	65
Operation Temperature (°C):	0 ≤ Ta ≤ +40	0 ≤ Ta ≤ +40
Inrush Current:	2.8A/10us	2.8A/10us
Rated Life to L70B50 (Hrs):	50000	50000
Dimensions LxWxH (mm):	353x110x63	353x110x63
Weight (kg):	0.46	0.46

Product is certified to all the relevant standards.

Please contact our technical department for market specific compliances.

PLEASE NOTE: INFORMATION IN THIS DOCUMENT MAY BE SUBJECT TO CHANGE WITHOUT PRIOR NOTICE

IRE: TEL: +353 1 709 9000  
 UK: TEL: 0800 973 220  
 AUS: TEL: +61 7 3890 5444  
 NZ: TEL: +64 03 668 5285

WEB: ROBUS.COM  
 WEB: ROBUS.COM  
 WEB: ROBUS.COM.AU  
 WEB: ROBUSLED.CO.NZ

LED GROUP EUROPE · UK · AUSTRALIA · NEW ZEALAND · ASIA · MIDDLE EAST · AFRICA

### EBLANA DUAL TEST

4.3W, IP65

#### Cone Illuminance Diagram

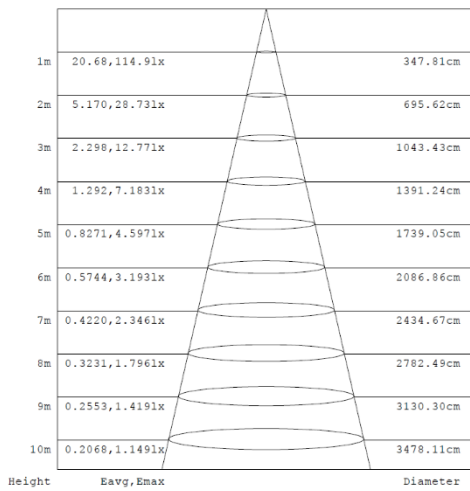
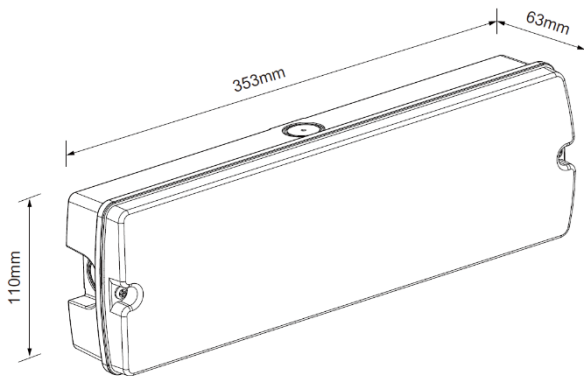


Diagram for R8MPDT-01 in maintained. Other diagrams available on request

#### Dimension Diagram



#### Polar Intensity Diagram

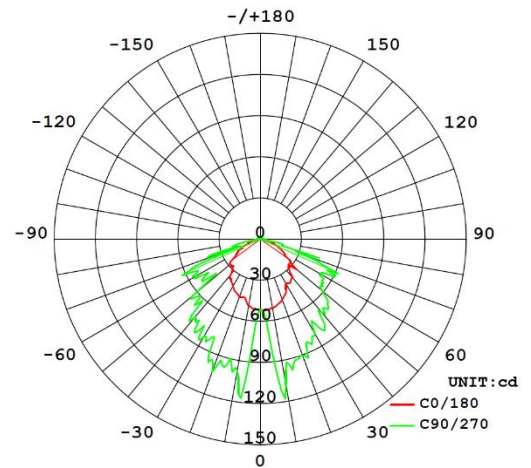


Diagram for R8MPDT-01 in maintained. Other diagrams available on request

#### Accessories

- R8MLEDE      BULKHEAD Accessory for R8MDT-01/ R8MPDT-01
- R8MLEDEXLR      Running Man Legend Stickers for R8MLEDE
- R8MLEDRSB-01      Recessed Box for R8MDT-01/ R8MPDT-01
- RBULKLEG      Legend Kit for R8MDT-01/ R8MPDT-01

PLEASE NOTE: INFORMATION IN THIS DOCUMENT MAY BE SUBJECT TO CHANGE WITHOUT PRIOR NOTICE

IRE: TEL: +353 1 709 9000  
 UK: TEL: 0800 973 220  
 AUS: TEL: +61 7 3890 5444  
 NZ: TEL: +64 03 668 5285

WEB: ROB.US.COM  
 WEB: ROB.US.COM  
 WEB: ROB.US.COM.AU  
 WEB: ROB.USLED.CO.NZ

LED GROUP EUROPE · UK · AUSTRALIA · NEW ZEALAND · ASIA · MIDDLE EAST · AFRICA