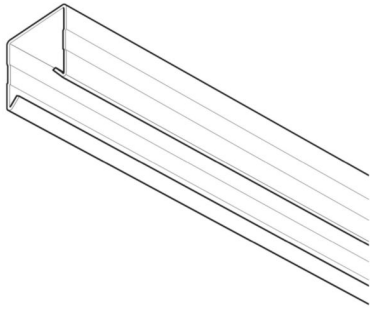


Product Data Sheet



SALAMANDRE LEGRAND

Salamandre Pre-Galvanised Steel Lighting Trunking 50mm x 50mm x 3m Length

REF. LT2310 | EAN. 5012774143802

> [Link to e-catalog product sheet](#)

Description

A 'clip-in' lid trunking system for fast installation | Available with a choice of 3 lids in plastic or galvanised finishes | For white powder coated finish to RAL 9003 product code starts WLT2, for pre-galvanised code starts LT2 | All lighting trunking fittings have friction grip to aid quick installation

Technical characteristics

Width	50 mm
Height	50 mm
Length	3000 mm
Number of compartments	1
Connector	Without connector
Material	Steel
Material quality	Other
Surface protection	Continuously galvanized
With cover	No

Mounting method cover	Other
Tamperproof	No
Suitable for use in an IP30 system	No
Suitable for use in an IP4X system	No
Suitable for use in an IP54 system	No
Suitable for use in an IP55 system	No
Suitable for use in an IPXXD system	No
Suitable for distribution trunking system	No
Suitable for lighting trunking system	Yes

Documents

Catalogue pages

[salamandre-distribution-trunking-2019-017.pdf](#) | PDF (0.07Mo)

[salamandre-distribution-trunking-2019-018.pdf](#) | PDF (0.15Mo)

Agreements & certificates

[LGRP-00994-V01.01-EN.pdf](#) | PDF (0.65Mo)