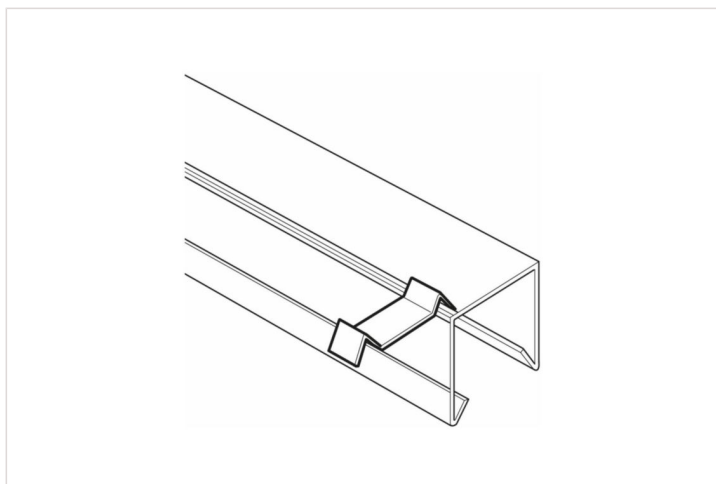


# Product Data Sheet



SALAMANDRE LEGRAND

Salamandre Pre-Galvanised Steel Lighting Trunking Cable Retainer

REF. LT2CR | EAN. 5012774143642

[> Link to e-catalog product sheet](#)

## Technical characteristics

Width	50 mm
Height	25 mm
Staple length	Fixed
Material	Steel
Material quality	Other
Surface protection	Continuously galvanized

Halogen free	Yes
Type of fastening	Inserting
With potential equalization	No
Suitable for circuit integrity	No
Colour	Other

## Documents

### Catalogue pages

- [salamandre-distribution-trunking-2019-017.pdf](#) | PDF (0.07Mo)
- [salamandre-distribution-trunking-2019-019.pdf](#) | PDF (0.16Mo)

### Agreements & certificates

- [LGRP-00994-V01.01-EN.pdf](#) | PDF (0.65Mo)