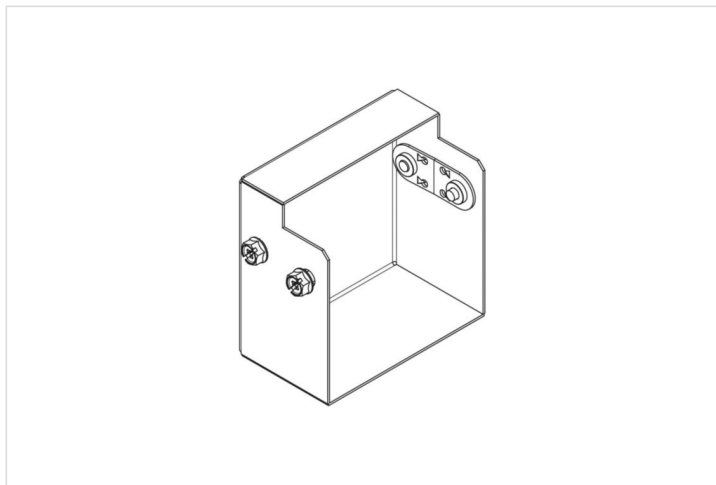


Product Data Sheet



SALAMANDRE LEGRAND

Salamandre IP4X Pre-Galvanised Steel Distribution Trunking End Cap 150mm x 150mm

REF. MGIP66E | EAN. 5012774584032

[> Link to e-catalog product sheet](#)

Technical characteristics

| | |
|--------------------|-------------------------|
| Width | 150 mm |
| Height | 150 mm |
| Connector | Integrated connector |
| Material | Steel |
| Material quality | Other |
| Surface protection | Continuously galvanized |
| Tamperproof | No |

| | |
|---|-----|
| Suitable for use in an IP30 system | Yes |
| Suitable for use in an IPXXD system | No |
| Suitable for use in an IP4X system | Yes |
| Suitable for use in an IP54 system | No |
| Suitable for use in an IP55 system | No |
| Suitable for distribution trunking system | Yes |
| Suitable for lighting trunking system | No |

Documents

Catalogue pages

salamandre-distribution-trunking-2019-015.pdf | PDF (0.58Mo)

salamandre-distribution-trunking-2019-008-009.pdf | PDF (1.53Mo)