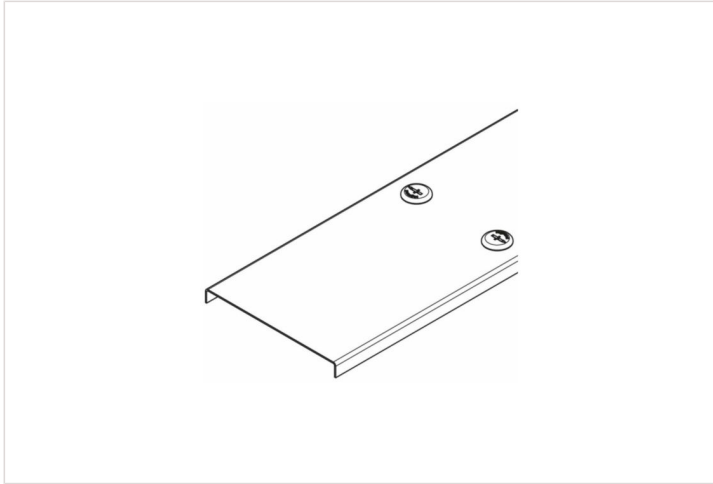


# Product Data Sheet



## SALAMANDRE LEGRAND

### Salamandre Pre-Galvanised Steel Distribution Trunking Lid 150mm x 3m Length

REF. MGR6LID | EAN. 5019102202651

> [Link to e-catalog product sheet](#)

## Product description

- Diecast turnbuckles included

## Technical characteristics

Width	150 mm
Length	3000 mm
Model	Smooth
Mounting method cover	Spanned
Mounting of cover	Spagnolet
Tamperproof fixing	No
Material	Steel

Material quality	Other
Halogen free	Yes
Antimicrobial treatment	No
Surface protection	Continuously galvanized
Colour	Other
With protective foil	No

## Documents

### Catalogue pages

[salamandre-distribution-trunking-2019-011.pdf](#) | PDF (0.28Mo)

### Agreements & certificates

[LGRP-00994-V01.01-EN.pdf](#) | PDF (0.65Mo)