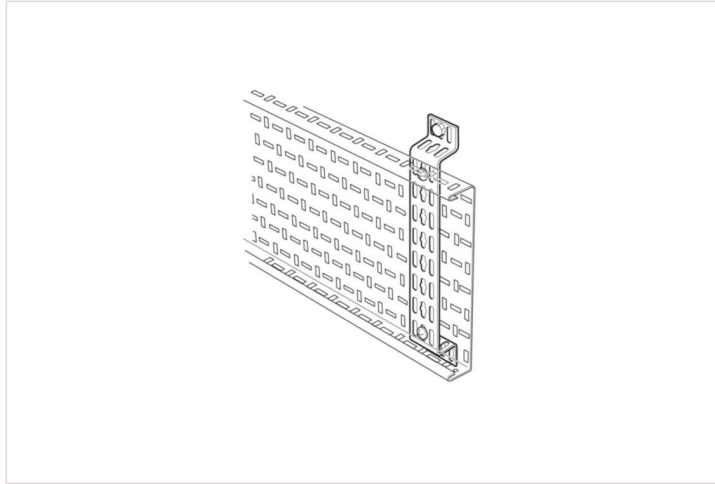


# Product Data Sheet



SWIFTS LEGRAND

## Swifts Pre-Galvanised Steel Cable Tray Stand-Off Bracket 50mm

REF. STB50PG | EAN. 5012774369462

> [Link to e-catalog product sheet](#)

### Product description

- Supplied singly without fastenings
- Fits vertical or horizontal runs of tray to vertical surfaces, floors and Swiftrack channel

### Technical characteristics

Suitable for cable support system width	50-50 mm
Model	Other
Suitable for wire mesh tray	No
Suitable for cable ladder	No
Suitable for cable tray	Yes
Tray mounting	Screwable

Load bearing capacity	392.4 N
Suitable for circuit integrity	No
Material	Steel
Material quality	Other
Surface protection	Continuously galvanized
Colour	Other

### Documents

#### Catalogue pages

[swifts-cable-tray-2015-025.pdf](#) | PDF (0.4Mo)