

50W 16" Metal Pedestal Fan 3 Speed

Product Ref: **LEV16MPFN**

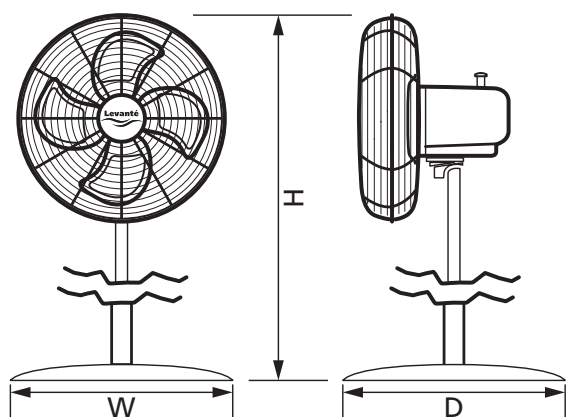
Technical Features:

- Oscillating action
- Adjustable angle
- 3 Speed settings
- Mesh safety grille
- Adjustable height
- Complete with 1.5m cable and plug



Product Specification

Air Velocity - Max (C)	3.73m/s
Cable Length	1.5m
Colour	Silver
Compliance	UKCA, CE
Class	Class 1
Decibel Rating	63.91dB (A)
Fan Flow Rate - Max (F)	65.77m ³ /min
Frequency	50Hz
Guarantee	1 Year
Material	Steel
Mounting	Free Standing
Number of Speeds	3
Size	16"
Standards	EN IEC 60879
Supplied With	1.5m cable and plug
Voltage Rating	230V
Wattage	50W
Weight	6.300kg
Depth	400mm
Diameter Ø	407mm
Height	1220mm
Width	450mm



Errors and omissions excepted (E&OE). All information is subject to change without notice and is correct at the time of print. Refer to issue number and date below.