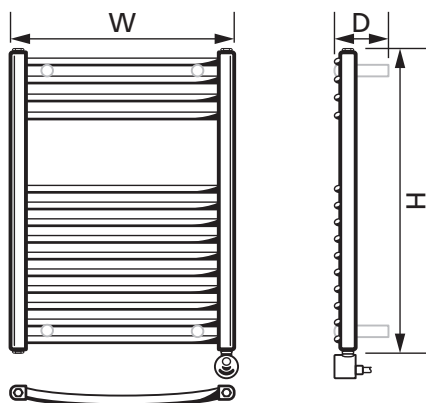


## 150W Thermostatic Electric Curved Ladder Style Towel Rail

Product Ref: **LEV575EWCTR150**

### Technical Features:

- PTC thermostat with comfort, boost and standby operating modes • Pre-filled with water and glycol, an oily substance which diffuses the heat from the heating element, preventing internal corrosion
- Electroplated finish to 30 microns, preventing corrosion and staining • Pressure tested to 10 bar
- Adjustable temperature control
- Boost mode: continuous heat for 120 minutes regardless of the room temperature setting • LED indicators
- 5 year warranty on body of unit, 2 year warranty on electric element
- Bar configuration: 4+10



## Product Specification

Boost	120 Minute Boost Mode
Colour	White
Compliance	UKCA, CE
Element type	PTC
Guarantee	5 Years
IP Rating	IP44
Material	Steel
Mounting	Wall
Neon	Yes
Safety Cut Out	Thermal Protection
Shape	Curved
Standards	EN 60335-1/A13, EN 60335-2-43
Temperature Range	7 - 32°C
Thermostat	Adjustable Thermostat
Voltage Rating	230V
Wattage	150W
Weight	7.612kg
Depth	100mm
Height	750mm
Width	500mm

Errors and omissions excepted (E&OE). All information is subject to change without notice and is correct at the time of print. Refer to issue number and date below.