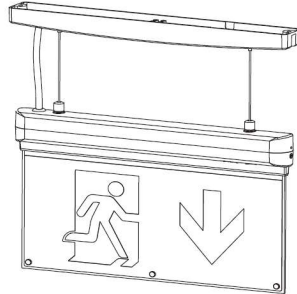


## EBLEDPT


### 3 Hours Maintained Emergency Blade Drop Light c/w Automatic Self-Test Function



Please read these instructions before installation and retain for the user/maintenance engineer for future reference.

#### IMPORTANT NOTE:

The luminaire must be installed by a skilled electrician and to the most current electrical wiring and building regulations

This product **MUST** be earthed  and **NOT** be subject to an electrical insulation test (500/1000v) which will not be covered by the warranty

This luminaire is NOT suitable to be used with dimmer switches


The luminaire should not be modified, if modified this will invalidate any warranties and Firesafe will not be liable for any damages caused.

The person carrying out the installation is to check and verify that the total load on the circuit, including the rating of the cable, fuse and/or circuit breaker is not exceeded

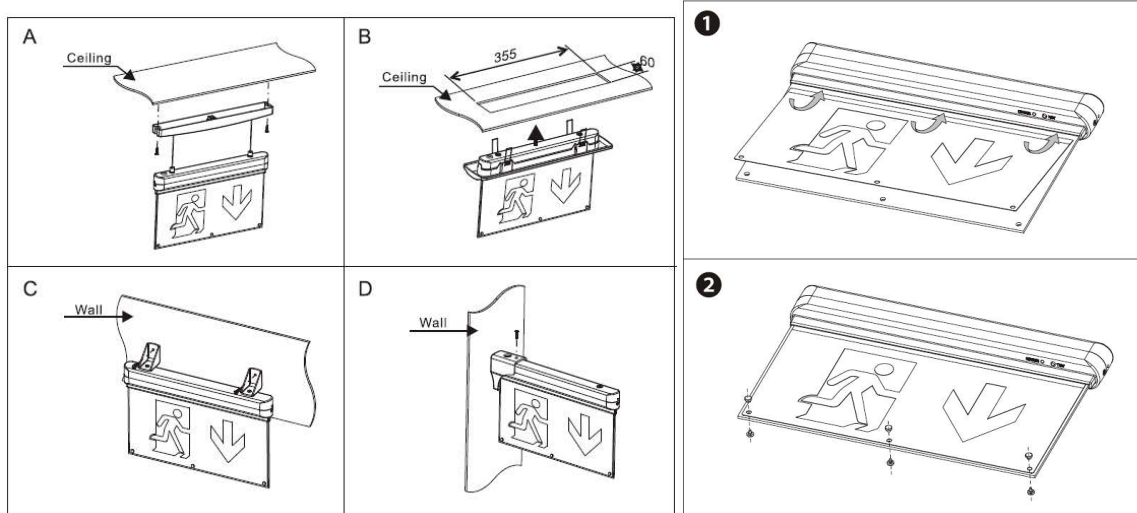
It is the responsibility of the installer to consider any fire risks and breach in any fire protection barriers or partitions, and take the appropriate precautions

Emergency lighting should be installed and maintained in accordance with BS5266 and BS EN50172

#### INSTALLATION

1. Select the correct legend to be fitted
2. Ensure the mains supply is switched off
3. To change the legend remove the 3 screws at the bottom diffuser, insert the new legend ensuring the top of the legend slides between the diffuser and the top of the fitting and refit the LED plate ensuring the plate is correctly located and the screws fully tightened
4. The fitting requires a permanent 230v AC supply to the live, L Brown, Earth  yellow/Green and neutral, N Blue wires
5. For the maintained circuits for continuous illumination of the light this can be achieved by connecting the Live to (L Brown) and Switch Live (Ls Black) together or for switch maintained operation connect a switch live (Ls black) through a remote switch
6. Connect the supply cables to the appropriate wires of the unit and ensure that ALL electrical connections are tight with no loose strands

7. The battery needs to be connected, remove the screw from the side of the fitting, unclip the top of the fitting, plug in the battery, the date of installation should be added to the label on the battery and re-assemble
8. Restore the mains supply, the green LED should be illuminated
9. Allow 24 hour to charge the batteries and record the installation date in the log book
10. After a 24 hour charge period test the luminaire for a **FULL 3 HOUR DURATION** by removing the 230v AC supply and record the date of the commissioning on the battery pack inside the luminaire and also in the log book
11. Subsequent testing should be carried out in accordance with the British/European standards and recorded in the log book



**Installation Method A - To adjust the length of the supporting cables wires, push the spring loaded metal tube that the wire feeds through on the ceiling mount holder and adjust accordingly, releasing the tube locks the supporting cable wire**

### Automatic Self-Test Function

The luminaire has an integral automatic self-test function.

When the luminaire is connected to a 230v AC supply the luminaire will perform an automatic test, monthly and annually. The first monthly test will be performed approximately between 16<sup>th</sup> to 30<sup>th</sup> day and the annual test will be between 200<sup>th</sup> to 360<sup>th</sup> day from initial power on.

After the first annual test, the test routine will then be scheduled for every 30 days and every 360 day for the monthly and annual tests. The luminaire will retain the testing schedule for approximately 7 days without a 230v AC supply (the internal battery still has to be connected).

### Automatic Daily Test

The luminaire checks daily if the battery is connected and that AC mains supply is present, if both are present the GREEN LED will be illuminated. If the battery is not connected or there is an issue with the battery the LED will flash Red once every three seconds. If there is no 230v AC supply present the LED indicator will be extinguished and the luminaire will be in emergency mode.

### Monthly /Annual Test

The luminaire performs an automatic 10 minutes duration self-test every month and an annual test for the full 3 hours duration. During the test the LED will be flashing RED quickly to indicate the fitting is in test for the duration of the test, if the test has been completed and satisfactorily then the LED will return to a constant Green state.

If during the test there is an issue with the light output, then the LED will flash Red twice every three seconds. If fitting does not complete the required emergency duration the LED will then flash Red three times every three seconds.

## Manual Test

The luminaire has a test button underneath the fitting which has two functions;

1. When the button is pressed once, the schedule of self-test will be reset (i.e. from the 1<sup>st</sup> day installed).
2. When the button is pressed for three seconds, the fitting will enter a self-test mode for 10 minutes with the same LED color indication as the monthly/annual test (red flashing quickly).

## LED Indicator Status

|   |   |
|---|---|
| Green LED On:                           | AC mains supply and battery connected   |
| LED Off:                                | No AC supply present  |
| Red Flash <b>Once</b> every 3 seconds:  | Issue with the battery during the daily test  |
| Red Flash very quickly:                 | Luminaire in manual/monthly/annual test mode  |
| Red Flash <b>Twice</b> every 3 seconds: | Fitting failed test - Issue with the light output during auto-test  |
| Red Flash <b>Three</b> every 3 seconds: | Fitting failed test – the battery duration was not achieved during auto-test  |
| Failed Test / Reset:                    | After a failed test and the fault has been rectified, the test button will need to be pressed for 3 seconds to activate a self-test or remove the 230v AC supply to reset the fault and LED indicator status back to green. |

## Maintenance

Repairs should only be carried out by suitably qualified person

Regular cleaning of luminaires should be carried out at regular intervals not only to ensure good optical performance but also ensure that dirt does not accumulate to such an extent as to impair the electrical or thermal safety of the fitting, this should be done with a soft damp cloth, do not use any chemicals or abrasives.

Servicing should only be carried out after the fitting has been made electrically safe and the battery disconnected.

**Light Source Maintenance:** the light source of this luminaire is not replaceable; in case the light source need to be replaced (e.g. at the end of its life), the whole luminaire shall be replaced.

## TESTING

Ensure the luminaires are tested in accordance with 5266-8:2004 / BS EN 50172:2004

**Daily:** Ensure the green charge LED is illuminated

**Monthly:** Check the LED Indicator Status, if Green then the unit has passed the monthly test. If the LED is flashing 2 or 3 times every 3 seconds then then luminaire has failed and will require an engineer to investigate, record the result in the log book

**Annually:** Repeat the monthly inspection and record the result in the log book. If the LED is flashing 2 or 3 times every 3 seconds then then luminaire has failed and will require an engineer to investigate.

**Defects:** Any defects or failures should be noted and recorded in the log book and actioned by a competent person as soon as possible

## Environment:

Please DO NOT dispose of electrical items or packaging as unsorted waste, use the recycling facilities provided by your local authorities.

| INSTALLATION / TEST RECORDS |               | Location:        |      |             |      | Part No:   |      |             |      |
|-----------------------------|---------------|------------------|------|-------------|------|------------|------|-------------|------|
|                             |               | Installed By     |      |             |      | Date:      |      |             |      |
|                             |               | Commissioned By: |      |             |      | Date:      |      |             |      |
| MONTH                       | TEST          | FIRST YEAR       |      | SECOND YEAR |      | THIRD YEAR |      | FOURTH YEAR |      |
|                             |               | Signed           | Date | Signed      | Date | Signed     | Date | Signed      | Date |
| Installation                | Full Duration |                  |      |             |      |            |      |             |      |
| 1                           | Short         |                  |      |             |      |            |      |             |      |
| 2                           | Short         |                  |      |             |      |            |      |             |      |
| 3                           | Short         |                  |      |             |      |            |      |             |      |
| 4                           | Short         |                  |      |             |      |            |      |             |      |
| 5                           | Short         |                  |      |             |      |            |      |             |      |
| 6                           | Short         |                  |      |             |      |            |      |             |      |
| 7                           | Short         |                  |      |             |      |            |      |             |      |
| 8                           | Short         |                  |      |             |      |            |      |             |      |
| 9                           | Short         |                  |      |             |      |            |      |             |      |
| 10                          | Short         |                  |      |             |      |            |      |             |      |
| 11                          | Short         |                  |      |             |      |            |      |             |      |
| 12                          | Full Duration |                  |      |             |      |            |      |             |      |

**Technical Specification:**

|                            |                   |                       |              |
|----------------------------|-------------------|-----------------------|--------------|
| <b>Voltage:</b>            | 230v AC 50Hz      | <b>Recharge Time:</b> | 24 hours     |
| <b>Lamp:</b>               | 15pcs LED         | <b>Dimensions:</b>    | 350x40x240mm |
| <b>Wattage:</b>            | 2.2W              | <b>Temp Range:</b>    | 0°C - 40°C   |
| <b>Colour Temp:</b>        | 6500K             | <b>IP:</b>            | IP20         |
| <b>Class:</b>              | 1                 | <b>Weight:</b>        | 702g         |
| <b>Battery:</b>            | 3.6V 800mAh Ni-Cd |                       |              |
| <b>Emergency Duration:</b> | 3 Hours           |                       |              |

**Warranty:**

This product is covered by an extended warranty for 3 years from date of purchase. The extended warranty is available following installation in the UK or Ireland by a competent person in accordance with the current building and IEE wiring regulations. For full terms and conditions in regards to our extended warranty please refer to the website.

**Environment:**

Please do not dispose the packaging as unsorted waste, use the recycling facilities provided by your local authorities. When the luminaire comes to the end of its life or you choose to update or upgrade by replacing it, then do not dispose with your normal household waste. Please recycle where facilities exist. When you need to dispose of this fitting, check with your retailer or local authority for suitable options. New regulations will encourage the recycling of Waste from Electrical and Electronic equipment (European WEEE Directive 2012/19/EU).

Due to our policy of continuous improvement we reserve the right to change specification without prior notice. Errors and omissions excepted. These instructions have been carefully checked prior to publication. However, no responsibility can be accepted by Firesafe for any misinterpretation of these instructions.

**LIGHTSAFE**

Distributed by: FIRESAFE  
 10 Sandersons Way,  
 Blackpool, FY4 4NB  
 Email: [sales@firesafe.co.uk](mailto:sales@firesafe.co.uk)  
 Web: [www.firesafe.co.uk](http://www.firesafe.co.uk)

