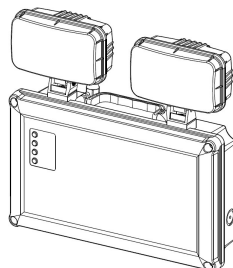


## ERTSLEDPT

### 3 hour Non Maintained LED Twinspot c/w Automatic Self-Test Function



Please read these instructions before installation and retain for the user/maintenance engineer for future reference.

#### IMPORTANT NOTE:

The luminaire must be installed by a skilled electrician and to the most current electrical wiring and building regulations

This product **MUST** be earthed (⊕) and **NOT** be subject to an electrical insulation test (500/1000v) which will not be covered by the warranty

This product should not be modified in any way, if modified this will invalidate any warranties and Firesafe will not be liable for any damages caused

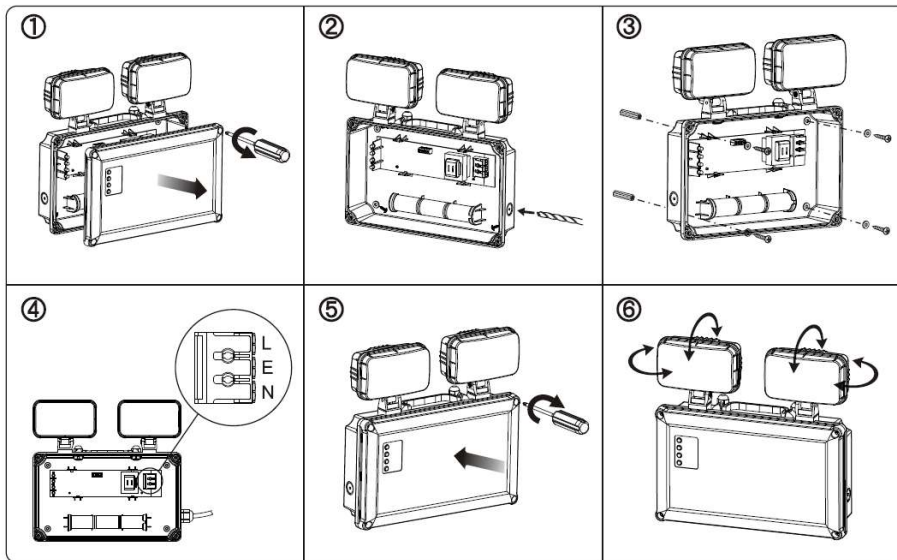
The person carrying out the installation is to check and verify that the total load on the circuit, including the rating of the cable, fuse and/or circuit breaker is not exceeded

It is the responsibility of the installer to consider any fire risks and breach in any fire protection barriers or partitions, and take the appropriate precautions

Emergency lighting should be installed and maintained in accordance with BS5266 and BS EN50172.

#### INSTALLATION

1. Ensure the mains supply is isolated
2. Remove the 4 screws securing the lid
3. If screws or bolts are used to secure the unit then consideration will need to be given as not to compromise the IP rating of the fitting for the environment the luminaire is to be installed
4. A permanent 230v AC supply is required to the live (L), (⊕) Earth and neutral (N) terminals on the PCB.
5. Ensure a gland or grommet is used to maintain the IP rating of the luminaire and that ALL electrical connections are made good with no loose strands
6. Plug the battery lead into connector on the PCB
7. Secure the lid with the 4 screws
8. Restore the AC mains supply, ensure the LED indicators on the front of the lid, green charge LED, lamp 1 & 2 indicators are illuminated Green
9. Allow 24 hour to charge the batteries and record the installation date in the log book
10. After a 24 hour charge period test the luminaire for a **FULL 3 HOUR DURATION** by removing the 230v AC supply and record the date of the commissioning on the battery pack inside the luminaire and also in the log book
11. Subsequent testing should be carried out in accordance with the British/European standards and recorded in the log book



### Automatic Self-Test Function

The luminaire has an integral automatic self-test function.

When the luminaire is connected to a 230v AC supply the luminaire will perform an automatic test, monthly and annually. The first monthly test will be performed approximately between 16<sup>th</sup> to 30<sup>th</sup> day and the annual test will be between 200<sup>th</sup> to 360<sup>th</sup> day from initial power on.

After the first annual test, the test routine will then be scheduled for every 30 days and every 360 day for the monthly and annual tests. The luminaire will retain the testing schedule for approximately 7 days without a 230v AC supply (the internal battery still has to be connected).

### Automatic Daily Test

The luminaire checks daily if the lamps are connected, if connected these will be indicated by the two green LEDs on the lid marked as 'Lamp 1 OK' and 'Lamp 2 OK', if there is an issue, the relevant lamp LED will be extinguished and the "Status Indicator" will flash red twice every three seconds. Also as part of the daily check the fitting checks that the battery is connected and that AC mains supply is present, if both are present then the Green Charge On LED on the lid will be illuminated. If the battery is not connected or there is an issue with the battery the (Charge On) LED will extinguish and the "Status Indicator" will flash Red once every three seconds. If there is no 230v AC supply present all LED indicators on the lid will be extinguished and the luminaire will be in emergency mode.

### Monthly /Annual Test

The luminaire performs an automatic 10 minutes duration self-test every month and an annual test for the full 3 hours duration. During the test all the LED indicators will be extinguished except for the (Status Indicator) which will be flashing Red quickly to indicate the fitting is in test for the duration of the test, if the test has been completed and satisfactorily then the (Charge On) and the two "Lamp Ok" LEDs will be a constant Green state.

If during the test there is an issue with the light output, then the (Charge On) LED will be off and the status indicator will flash Red twice every three seconds.

If fitting does not complete the required emergency duration then the (status indicator) LED will flash Red three times every three seconds.

### Manual Test

The luminaire has an internal test button (on the PCB) which has two functions;

1. When the button is pressed once, the schedule of self-test will be reset (i.e. from the 1<sup>st</sup> day installed).
2. When the button is pressed for three seconds, the fitting will enter a self-test mode for 10 minutes with the same LED indication as the monthly/annual test (see above).

## **Front Cover LED Indicator Status**

All LED indicators Off: No AC supply present

### **Charge LED**

On (Green): AC mains supply and battery connected

LED Off: test mode or battery/test fault

### **Status Indicator**

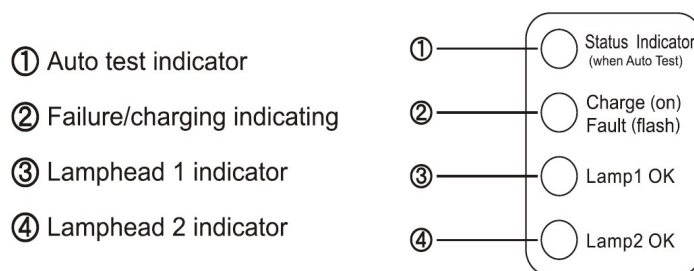
Red Flash **Once** every 3 seconds: Issue with the battery during the daily test

Red Flash very quickly: Luminaire in manual/monthly/annual test mode

Red Flash **Twice** every 3 seconds: Fitting failed test - Issue with the light output during auto-test

Red Flash **Three** every 3 seconds: Fitting failed test – the battery duration was not achieved during auto-test

Failed Test / Reset: After a failed test and the fault has been rectified, the internal test button will need to be pressed for 3 seconds to activate a self-test or remove the 230v AC supply to reset the fault and LED indicator status.



## **Maintenance**

Repairs should only be carried out by suitably qualified person

Regular cleaning of luminaires should be carried out at regular intervals not only to ensure good optical performance but also ensure that dirt does not accumulate to such an extent as to impair the electrical or thermal safety of the fitting, this should be done with a soft damp cloth, do not use any chemicals or abrasives.

Servicing should only be carried out after the fitting has been made electrically safe and the battery disconnected.

**Light Source Maintenance:** the light source of this luminaire is not replaceable; in case the light source need to be replaced (e.g. at the end of its life), the whole luminaire shall be replaced.

## **Environment:**

Please DO NOT dispose of electrical items or packaging as unsorted waste, use the recycling facilities provided by your local authorities.

## **TESTING**

Ensure the luminaires are tested in accordance with 5266-8:2004 / BS EN 50172:2004

**Daily:** Ensure the green charge LED is illuminated

**Monthly:** Check the LED Indicator Status, if Green then the unit has passed the monthly test. If the LED is flashing 2 or 3 times every 3 seconds then then luminaire has failed and will require an engineer to investigate, record the result in the log book

**Annually:** Repeat the monthly inspection and record the result in the log book. If the LED is flashing 2 or 3 times every 3 seconds then then luminaire has failed and will require an engineer to investigate.

**Defects:** Any defects or failures should be noted and recorded in the log book and actioned by a competent person as soon as possible

INSTALLATION / TEST RECORDS		Location:				Part No:			
		Installed By				Date:			
		Commissioned By:				Date:			
MONTH	TEST	FIRST YEAR		SECOND YEAR		THIRD YEAR		FOURTH YEAR	
		Signed	Date	Signed	Date	Signed	Date	Signed	Date
Installation	Full Duration								
1	Short								
2	Short								
3	Short								
4	Short								
5	Short								
6	Short								
7	Short								
8	Short								
9	Short								
10	Short								
11	Short								
12	Full Duration								

**Technical Specification:**

<b>Voltage:</b>	230v AC 50Hz	<b>Recharge Time:</b>	24 hours
	Power Factor 0.3PF, 40mA	<b>Fuse:</b>	1A
<b>Lamp:</b>	2 x 1.5W	<b>Temp Range:</b>	0°c – 40°c
<b>Wattage:</b>	3.09W	<b>Dimensions:</b>	(L)292, (H)279, (D)68mm
<b>Colour Temp:</b>	6500K	<b>Weight:</b>	1,008g
<b>Class:</b>	1	<b>IP:</b>	IP65
<b>Battery:</b>	3.6V 3Ah Ni-Cd	<b>Emergency Duration:</b>	3 Hour
<b>Auto test:</b>	Every month 10 minutes test duration, annually 3 hours test duration		

**Warranty:**

This product is covered by an extended warranty for 3 years from date of purchase. The extended warranty is available following installation in the UK or Ireland by a competent person in accordance with the current building and IEE wiring regulations. For full terms and conditions in regards to our extended warranty please refer to the website.

**Environment:**

Please do not dispose the packaging as unsorted waste, use the recycling facilities provided by your local authorities. When the luminaire comes to the end of its life or you choose to update or upgrade by replacing it, then do not dispose with your normal household waste. Please recycle where facilities exist. When you need to dispose of this fitting, check with your retailer or local authority for suitable options. New regulations will encourage the recycling of Waste from Electrical and Electronic equipment (European WEEE Directive 2012/19/EU).

Due to our policy of continuous improvement we reserve the right to change specification without prior notice. Errors and omissions excepted. These instructions have been carefully checked prior to publication. However, no responsibility can be accepted by Firesafe for any misinterpretation of these instructions.

**LIGHTSAFE**

Distributed by: FIRESAFE  
 10 Sandersons Way,  
 Blackpool, FY4 4NB  
 Email: [sales@firesafe.co.uk](mailto:sales@firesafe.co.uk)  
 Web: [www.firesafe.co.uk](http://www.firesafe.co.uk)

