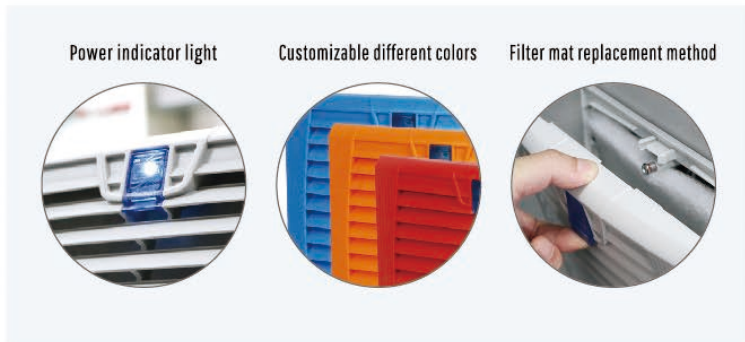


LK3240-M series fan-and-filter

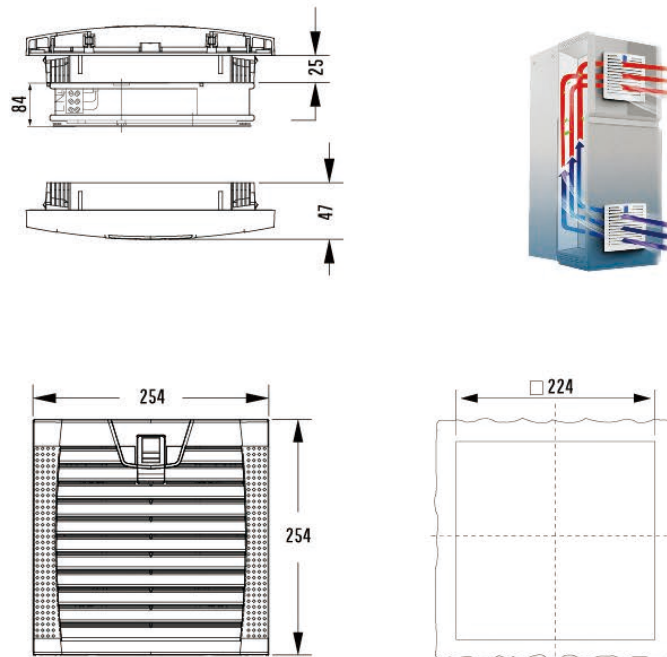
254x254mm | 230-265 m³/h



Colour	RAL7035,color can be customized
Protection category	IP54-standard, IP55 plus precision filter mat, IP56 plus precision filter mat and protective cover.



Dimensions



Exit filter LK 3240.300



Model No.fan-and-filter unit LK	3240-M.230-LK	3240-M.115-LK
Model No.fan-and-filter unit EMC	3240-M.230-EMC	3240-M.115-EMC
Rated operating voltage,frequency V,Hz	230V, 50/60HZ	115V, 50/60HZ
Air throughput,unimpeded air flow	230-265 m ³ /h	
Air throughput with Exit filter including standard filter mat	1 x LK 3240.300: 170-205 m ³ /h 2 x LK 3240.300: 200-230 m ³ /h	1 x LK 3240.300: 190-215 m ³ /h
Axial fan	Self-starting shaded pole motor	
Rated current max.	0.25-0.20 A	0.52-0.43 A
Rated Power	37.0-33.0 W	
Noise level	46-50 dB(A)	
Operating temperature range	-30 - +70 °C	
Model No. Exit filter LK / EMC	3240.300 / 3240.300-EMC	
Design	Made of injection-moulded thermoplastic, customizable flame retardant materials, consistent with UL94-V0 self-extinguishing.	