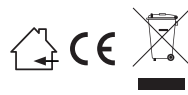


## LUSB50RGB-01/LUSB5030-01 USB RGB & SINGLE COLOUR LED STRIP LIGHTS



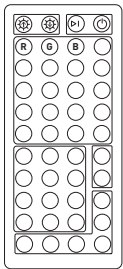
**NOTE** – To comply with regulations, installation must be carried out by suitably qualified competent person and in accordance with the current IEE Wiring Regulations (BS7671) and Building Regulations. A copy of the instructions must be left for the user/maintenance engineer for future reference.

For non-UK, please refer/consult local requirements

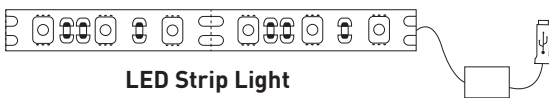
**ENSURE ELECTRICAL SUPPLY IS DISCONNECTED/  
ISOLATED BEFORE COMMENCING INSTALLATION**



### INCLUDED:

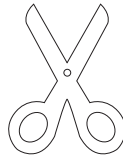


**LED Remote Control**  
\*Only included with RGB Strip



LED Strip Light

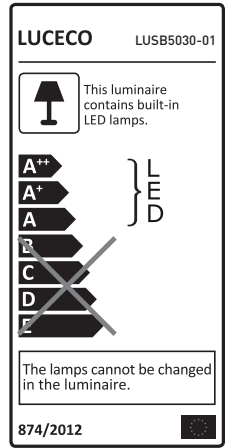
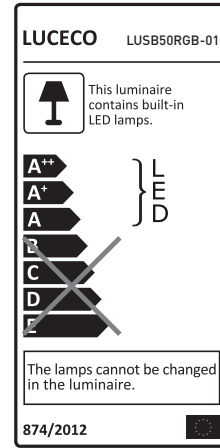
### TOOLS NEEDED:



Scissors

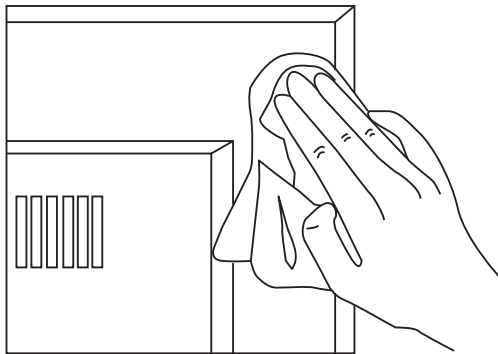


Ruler



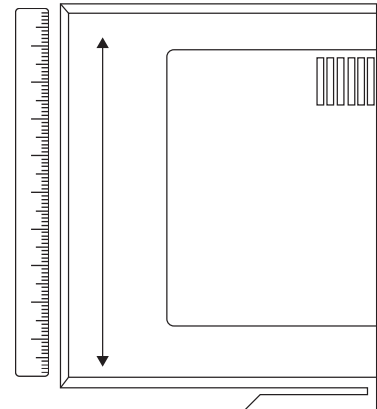
### ASSEMBLY AND INSTALLATION

1



2

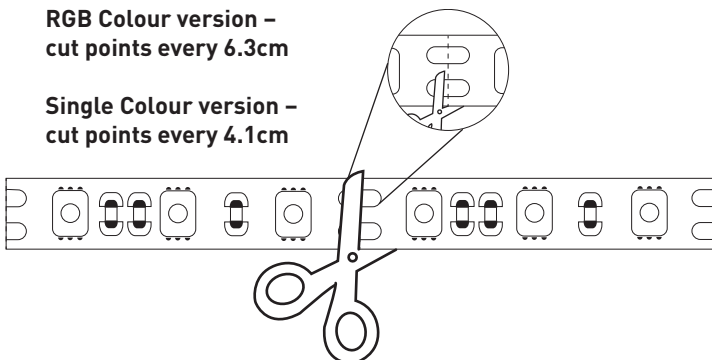
Measure



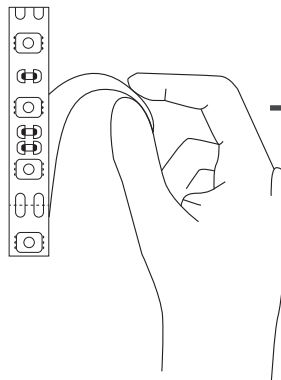
3

RGB Colour version –  
cut points every 6.3cm

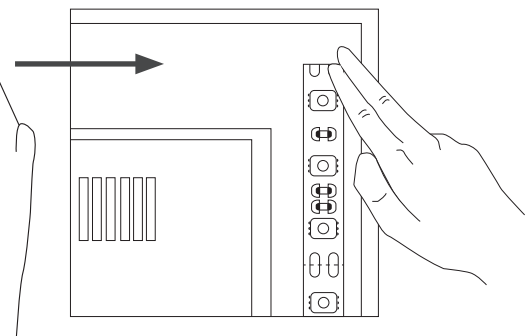
Single Colour version –  
cut points every 4.1cm



4.a.

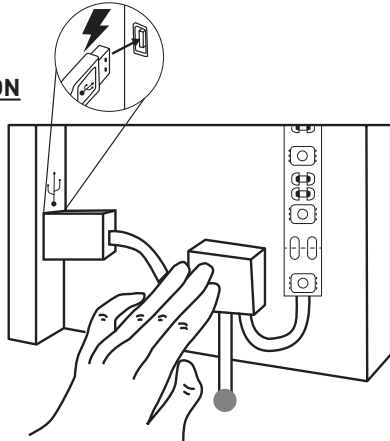


4.b.



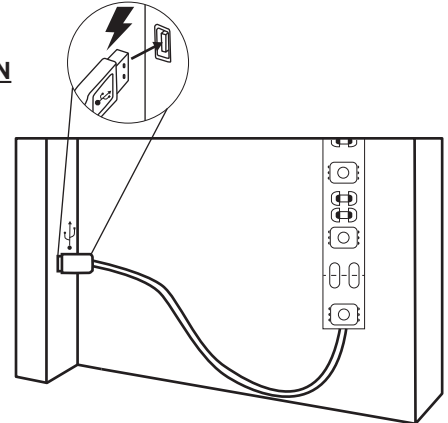
5

**CONNECTING POWER TO RGB COLOUR VERSION**

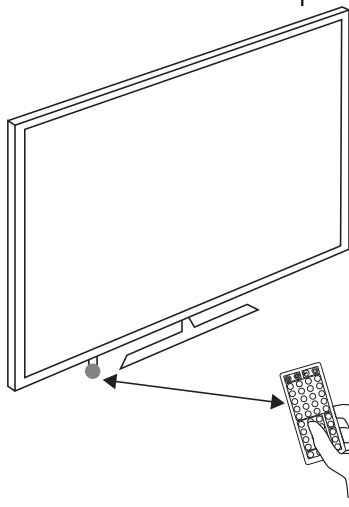


**CONNECTING POWER TO SINGLE COLOUR VERSION**

**\*INSTALLATION COMPLETE FOR SINGLE STRIP LIGHT\***



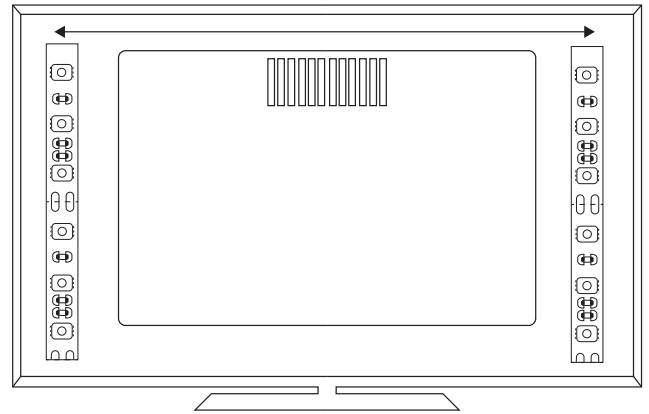
6



**ENSURE SENSOR IS VISIBLE IN ORDER TO OPERATE REMOTE CONTROL**

7

**Max distance 78.8 inches / 200cm**



| Part Code   | Colour Temp. | Voltage | Wattage | Lumens    | Beam Angle | Dimmable | IP Rating | Dimensions      |
|---|--------------|---------|---------|-----------|------------|----------|-----------|-----------------|
| <b>USB RGB &amp; Single Colour LED Strip Lights</b> |              |         |         |           |            |          |           |                 |
| LUSB50RGB-01  | RGB          | 5V      | 2.5W    | 97Llm/W   | 120°       | Yes      | IP20      | 2 x 50cm length |
| LUSB5030-01   | 3000K        | 5V      | 2W      | 130 Llm/W | 120°       | No       | IP20      | 2 X 50cm length |

**United Kingdom Warranty**

For other territories and for further information, please see [www.luceco.com](http://www.luceco.com) for details

Products are protected by warranty for a period of 2 years from date of purchase against defects in material and workmanship (unless otherwise stated). Should a product fail to perform as described within the warranty period it will be repaired or replaced with the same or equivalent product by Luceco, free of charge provided that you: (1) return the product to us with shipping charge prepaid, (2) provide us with proof of the original date of purchase and (3) quote our return authorization number.

Repaired or replaced products will be returned to you with shipping charges prepaid. Replacement products may be refurbished or contain refurbished materials. If in our sole discretion, we are unable to repair or replace a defective product, we will refund the purchase price of the product.

This warranty will not apply if in our judgment, the product fails due to damage in shipment, handling, storage, accident, abuse or misuse, or if it has been used in a manner not conforming to our product instructions, has been modified in any way, or has any serial number removed or defaced. Repair or attempted repair will void this warranty. Our maximum liability under the terms of this warranty is limited to the purchase price of the product covered by the warranty.

The warranty is given under English Law. If any part of this warranty is deemed unenforceable (including any provision in which we exclude our liability to you) the enforceability of any other parts of the warranty will not be affected. These terms do not reduce your statutory rights.

For Non-UK please contact Local Luceco Office for details. **THESE TERMS AND CONDITIONS ARE SUBJECT TO CHANGE WITHOUT PRIOR NOTICE.**

**Eventually, you may want to replace this fitting;**

**Environmental Protection W.E.E.E (Wheellie Bin Symbol for EU ONLY)**

This symbol is known as the "crossed-out" wheellie Bin Symbol". When this symbol is marked on a product or battery, It means that it should not be disposed of with your general household waste. Some chemicals contained within electrical/electronic products or batteries can be harmful to health and the environment. Only dispose of electrical/electronic/battery items in separate collection schemes, which cater for the recovery and recycling of materials contained within. Your co-operation is vital to ensure the success of these schemes and for the protection of the environment.

|   |   |  |   |   |
|---|---|--|---|---|
| <p>Tech Help Line<br/> <b>UK - 0330 0249 279</b><br/>                 Non UK - <b>+44 (0)1952 238 100</b><br/>                 Supplied by LUCECO<br/>                 Stafford Park 1<br/>                 TF3 3BD ENGLAND</p> | <p>Kontakt<br/> <b>UK - 0330 0249 279</b><br/>                 Non UK - <b>+49 40 89066 878 - 29</b><br/>                 Geliefert von Luceco<br/>                 GmbH Holstenplatz 20b,<br/>                 22765 Hamburg DEUTSCHLAND</p> | <p>Support Technique<br/> <b>UK - 0330 0249 279</b><br/>                 Non UK - <b>+33 [0]1 61 10 10 35</b><br/>                 Notice fournie par<br/>                 Luceco SAS France &amp; Belux 3<br/>                 Rue de Courtaulin, Magny Le Hongre 77700<br/>                 FRANCE &amp; BELUX</p> | <p>Servicio de asistencia telefónica<br/> <b>UK - 0330 0249 279</b><br/>                 Non UK - <b>+34 93 576 83 21</b><br/>                 Facilitado por BG Electrical Ltd<br/>                 Liessamins, 6, 08338,<br/>                 Premia de Dalt Barcelona, Spain</p> | <p>Assistenza tecnica telefonica<br/> <b>UK - 0330 0249 279</b><br/>                 Non UK - <b>+39 0434 1696795</b><br/>                 Fornito da BG Electrical Ltd Nexus<br/>                 Italia, Via Amman 10 33170<br/>                 Pordenone, Italy</p> |
|---|---|--|---|---|

Visit our website at [www.luceco.com](http://www.luceco.com) Besuchen Sie uns auf [www.luceco.de](http://www.luceco.de) Visitez note site Web [www.luceco.fr](http://www.luceco.fr) Visite nuestra web en [www.luceco.com](http://www.luceco.com) Visitate il nostro sito [www.luceco.com](http://www.luceco.com)