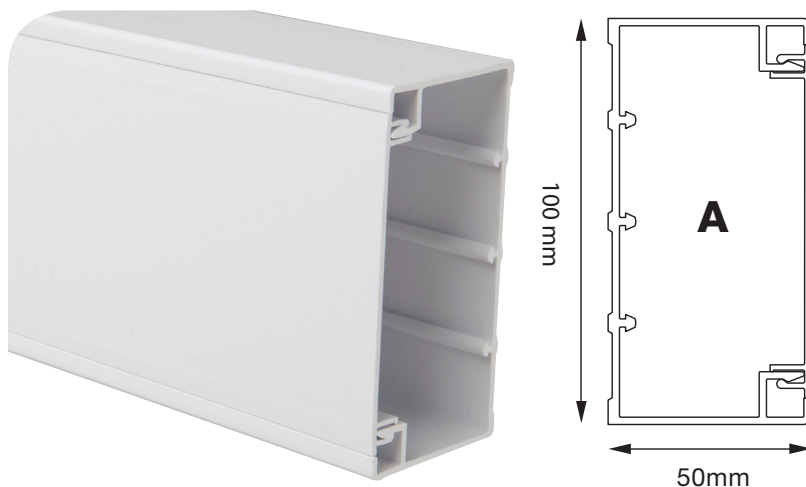




# juno trunking introduction

**marco**  
juno range



## key features

- 100 x 50mm profile
- Available in white, charcoal and light grey
- Manufactured from high impact resistant uPVC compound
- Full range of fittings and accessories
- Can be divided into 2, 3 or 4 compartments
- Accepts 25mm and 35mm socket boxes and frames
- DDA Compliancy obtainable
- Anti-microbial protection available\*
- Available as pre-assembled units

\* Minimum order quantities apply

Marco now offer pre-assembled unit design, ideal for student accommodation, as well as other repetitive installations

Marco Juno is a single compartment uPVC dado trunking system, which can be sub-divided by means of divider strip, for power, data and telecommunication cables. The positions of the divider fixing points allow for two, three or four compartments to be made depending on installation needs.

## dimensions and cable capacities

DATA CABLE DIAMETER (mm)	NOMINAL CSA (mm <sup>2</sup> )	COMPARTMENT A		
		4120mm <sup>2</sup>	4116mm <sup>2</sup> and 25mm back box (2420mm <sup>2</sup> )	4116mm <sup>2</sup> and 35mm back box (1700mm <sup>2</sup> )
		45% Fill (1852mm <sup>2</sup> )	45% Fill (1089mm <sup>2</sup> )	45% Fill (765mm <sup>2</sup> )
5	19.6	94	55	39
5.5	23.8	77	45	32
6	28.3	65	38	27
6.5	33.2	55	32	23
7	38.5	48	28	19

POWER CABLE CONDUCTOR CSA (mm <sup>2</sup> )	CABLE FACTOR	COMPARTMENT A		
		4120mm <sup>2</sup>	4116mm <sup>2</sup> and 25mm back box (2420mm <sup>2</sup> )	4116mm <sup>2</sup> and 35mm back box (1700mm <sup>2</sup> )
		45% Fill (1852mm <sup>2</sup> )	45% Fill (1089mm <sup>2</sup> )	45% Fill (765mm <sup>2</sup> )
1.5	8.6	215	126	88
2.5	12.6	144	85	59
4	16.6	111	65	46
6	21.2	87	51	36

Typical cable loading information in line with wiring regulation BS 7671 (45% CSA Fill)

With Marco's ISO14001 certificate, every colour is green!