

6 to 12 Module Plastic Enclosure Tinted Window IP65

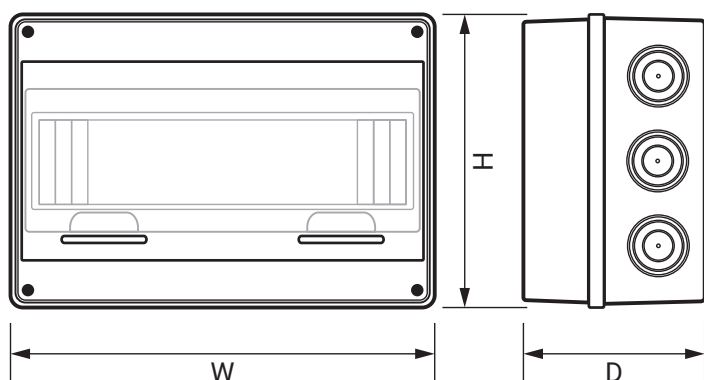
Product Ref: **92.12**

Technical Features:

- Snap closing tinted window
- Metal DIN rail
- Sealable
- 6 to 12 modules
- 17W dispersible power

Product Specification

IP Rating	IP65
Weight	0.793kg
Size	Internal 200 x 250 x 110mm
Mounting	Surface
Cable Entry	Knockout Entry - M20.5 / M29 / M37.5 x 12
Colour	Grey
Material	ABS/PC
Compliance	UKCA, CE
Guarantee	1 Year
Standards	EN 60670-22:2006
Depth	110mm
Height	200mm
Width	250mm



Errors and omissions excepted (E&OE). All information is subject to change without notice and is correct at the time of print. Refer to issue number and date below.

Tel: +44 (0)1302 342 642 • mcg.co.uk • [X@mcg_industrial](mailto:info@mcg_industrial)