

MCB Toggle Lock Aluminium

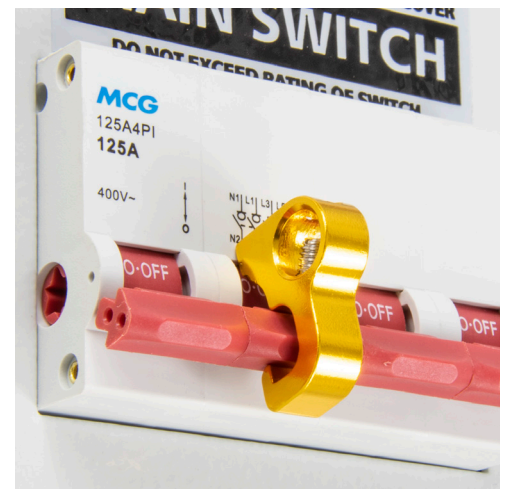
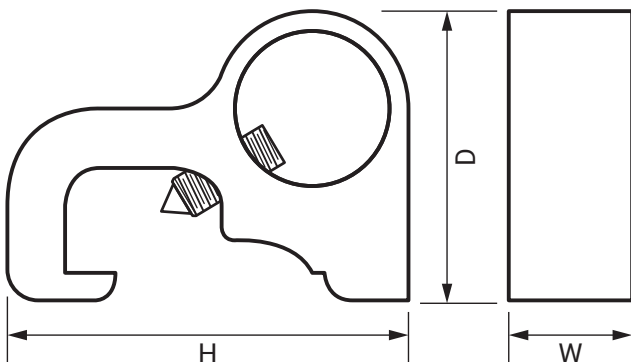
Product Ref: **CB12**

Technical Features:

- Simple yet versatile MCB lockout
- Gives a low profile solution
- Securely grips tight via internal grub screw
- Insert a padlock to prevent access to grub screw

Product Specification

| | |
|--------------|---|
| Lockout Type | Grip Tight |
| Weight | 0.005kg |
| Colour | Brass |
| Material | Aluminium |
| Compliance | UKCA, CE |
| Guarantee | 1 Year |
| Suitable for | Locking breakers which have no locking facility |
| Depth | 18mm |
| Height | 24mm |
| Width | 7mm |



Errors and omissions excepted (E&OE). All information is subject to change without notice and is correct at the time of print. Refer to issue number and date below.

Tel: +44 (0)1302 342 642 • mcg.co.uk • ✉@mcg_industrial