

Grip Tight MCB Lockout Sideways Fitting

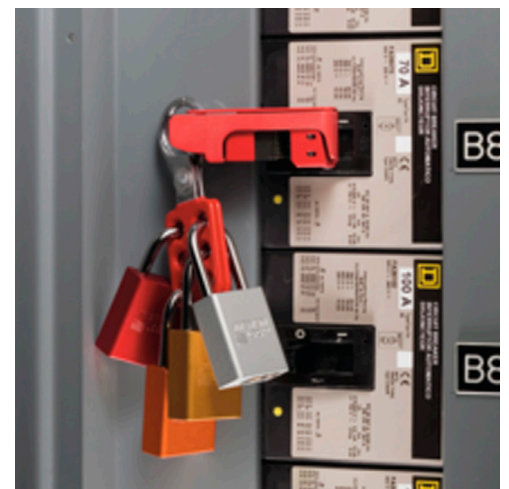
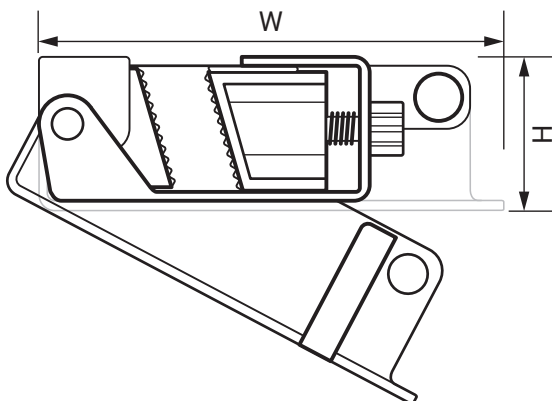
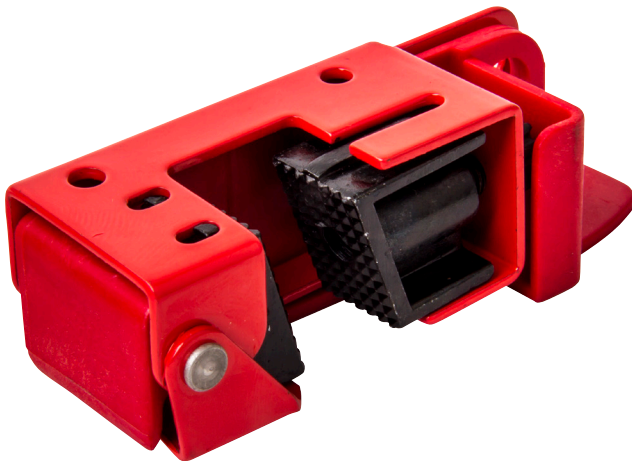
Product Ref: **CB13**

Technical Features:

- Locates sideways onto the toggle
- Ideal for tall and wide toggles
- Secure mounting for a solid lockout
- Grips tight with simple thumb turn and clamping handle
- Offers superior holding power compared to other devices
- Universal fit accommodates many styles of breaker toggles
- Compact design permits side-by-side breaker lockout
- Durable construction

Product Specification

Lockout Type	Grip Tight
Weight	0.098kg
Colour	Red
Material	Steel/Reinforced Polymer
Compliance	UKCA, CE
Guarantee	1 Year
Suitable for	Standard height and tie-bar toggles typically found on 120 and 240 volt breakers
Depth	27mm
Height	28mm
Width	86mm



Errors and omissions excepted (E&OE). All information is subject to change without notice and is correct at the time of print. Refer to issue number and date below.

Tel: +44 (0)1302 342 642 • mcg.co.uk • ✉@mcg_industrial