

Connecting Bar 1 Pin 100A 56 Module

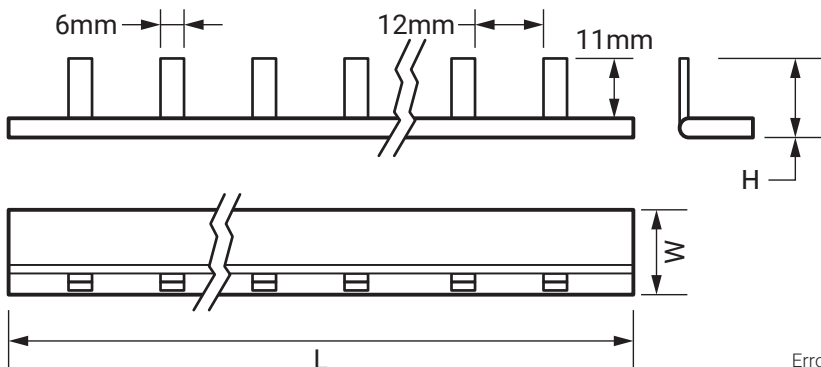
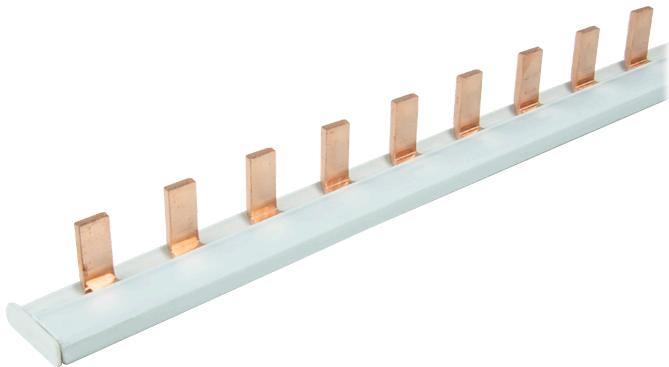
Product Ref: **CBP100A1PIN**

Technical Features:

- Designed to be connected to the MCG Industrial range of products
- Pin style connection

Product Specification

Voltage Rating	240V / 415V
Current Rating	100A
Weight	0.284kg
Number of Poles	Single Pole
Number of ways	56
Insulated	Yes
Colour	White
Material	Copper / Plastic
Compliance	UKCA, CE
Guarantee	1 Year
Standards	IEC 60898
Height	15mm
Length	1000mm
Width	16mm



Errors and omissions excepted (E&OE). All information is subject to change without notice and is correct at the time of print. Refer to issue number and date below.

Tel: +44 (0)1302 342 642 • mcg.co.uk • ✉@mcg_industrial