

1kVA Single Phase Portable Tool Transformer 110V with 1 x 16A Socket

Product Ref: **CM1001/CL**

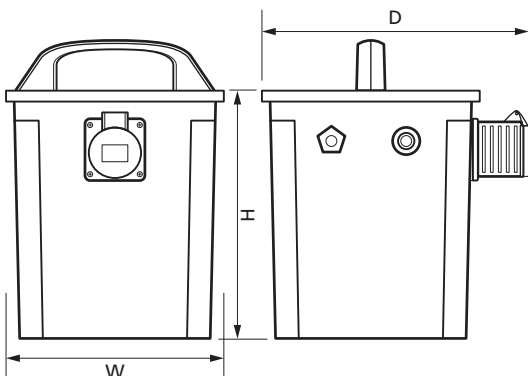
Technical Features:

- 1KVA Portable Tool Transformer
- 230V AC 50/60Hz Input Voltage
- 110V AC 50/60 Hz Output Voltage
- Supplied with 1.5m Rubber Power cable & 3 Pin BS Plug
- Supplied with 1 x 16A 2P+E Socket
- 1000vA Tool Rating
- 600vA Continuous Rating
- Robust GRP Enclosure with carry handle



Product Specification

Continuous Rating	600VA
Tool Rating	1000VA
Intermittent Duty	1000VA - 5 Min ON / 15 Min OFF
Input Voltage	230V AC
Power Cable Length	1.5m
Power Cable Type	1.0mm ² 3 Core Black Rubber HO5RN-F
Power Cable Plug	230V AC 13A 3 PIN BS1363/A (C/W 13A Fuse BS1362)
Output Voltage	110V AC
Frequency	50/60Hz
Output Sockets (Total)	1
Output Socket Type	110V 2P+E (EN60309)
Output Socket Rating (Amps)	16A
Safety Thermal Cut Out	Yes
Class	Class 1
IP Rating	IP44
Enclosure Material	Glass Reinforced Plastic (GRP)
Colour	Yellow
Compliance	UKCA, CE, RoHS
Standards	EN 61558
Guarantee	1 Year
Weight	9.800kg
Depth	235mm
Height	225mm
Width	180mm



Errors and omissions excepted (E&OE). All information is subject to change without notice and is correct at the time of print. Refer to issue number and date below.

Tel: +44 (0)1302 342 642 • mcg.co.uk • [@mcg_industrial](https://twitter.com/mcg_industrial)