

5.25kVA Single Phase Portable Tool Transformer 110V with 2 x 16A and 1 x 32A Sockets

Product Ref: **CM52503/CL**

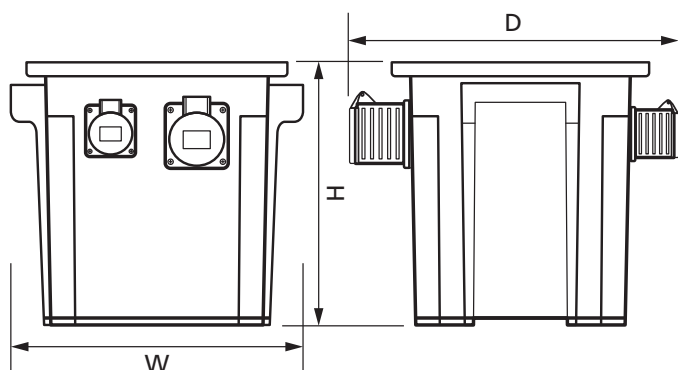
Technical Features:

- 2800VA Continuous rating
- 5250VA Tool rating
- Supplied with 2 x 16A and 1 x 32A 2P+E Sockets
- Supplied with 2m Rubber Power cable
- Robust GRP enclosure with carry handle



Product Specification

Continuous Rating	2800VA
Tool Rating	5250VA
Intermittent Duty	5250VA - (5 Min ON / 15 Min OFF)
Input Voltage	230/240V AC
Power Cable Length	1.7m
Power Cable Type	H07RN-F 3G 2.5mm ²
Power Cable Plug	No Plug supplied
Output Voltage	110V AC
Frequency	50/60Hz
Output Sockets (Total)	3
Output Socket Type	IP44 16A and 32A CEE Sockets
Output Socket Rating (Amps)	2 X 16A, 1 X 32A
Safety Thermal Cut Out	Yes
Class	Class I
IP Rating	IP44
Enclosure Material	Glass Reinforced Plastic (GRP)
Colour	Yellow
Compliance	UKCA, CE
Standards	BS EN IEC 61558-1/2-23
Guarantee	1 Year
Weight	30.500kg
Depth	345mm
Height	280mm
Width	316mm



Errors and omissions excepted (E&OE). All information is subject to change without notice and is correct at the time of print. Refer to issue number and date below.

Tel: +44 (0)1302 342 642 • mcg.co.uk • [@mcg_industrial](https://twitter.com/mcg_industrial)