

## 16A 2 P+E 230V 3 Way Y Splitter IP44

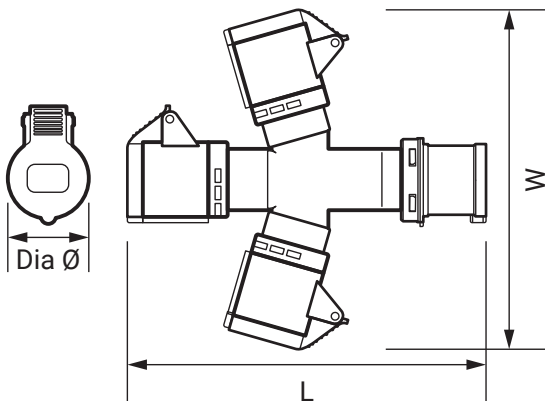
Product Ref: **CX163P240YS**

### Technical Features:

- Manufactured from thermoplastic - suitable for general use
- Conforms to IEC 60309-1/2
- Ergonomic grip
- Corrosion and impact resistant
- Colour coded for fast identification of operating voltage
- Safe and reliable
- Typical operating temperature -25°C to 50°C

## Product Specification

Voltage Rating	230V
Current Rating	16A
IP Rating	IP44
Weight	0.488kg
Frequency	50Hz
Number of Outlets	3
Number of Poles	2P+E
Mounting	Trailing
Colour	Blue
Material	Thermoplastic
Compliance	UKCA, CE
Guarantee	1 Year
Standards	IEC/EN 60309-1/2
Diameter Ø	50mm
Length	225mm
Width	215mm



Errors and omissions excepted (E&OE). All information is subject to change without notice and is correct at the time of print. Refer to issue number and date below.

Tel: +44 (0)1302 342 642 • [mcg.co.uk](http://mcg.co.uk) • [X@mcg\\_industrial](mailto:info@mcg_industrial)