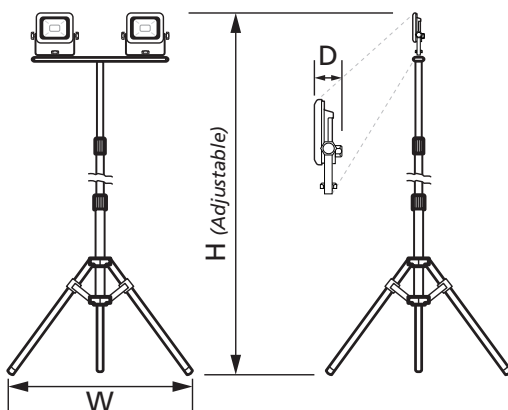


110V 20W LED Twin Task Light and Tripod **Product Specification**

Product Ref: **CXFL20X2**

Technical Features:

- Free standing tripod with 3 metre cable and CEE plug
- Total lumen: 2 x 1800lm
- Foldable for easy storage - only 1000mm in length
- Energy saving of up to 80% compared to Halogen worklights
- Aluminium housing with PC front cover
- Height adjustable tripod
- Easy angle adjustment of worklight head



Wattage	2 x 20W
Voltage Rating	110V
IP Rating	IP54
Weight	4.400kg
Cable Length	3m
Cable Type	H05VV-F 3 x 1.0mm ²
Frequency	50/60Hz
Beam Angle	120°
Operating Temperature	-10 - 40°C
Mounting	Free Standing
Colour Temperature	6500K
Lumens	3600lm (1800lm per Task Light)
Lamp Life	25000 hours
Tripod Height	600 - 1500mm
Colour	Yellow
Material	Die Cast Aluminium/Steel Body and Tempered Glass Lens
Supplied With	16A CEE Plug IP44
Class	Class I
Compliance	UKCA, CE
Guarantee	1 Year
Standards	EN 60598
Depth	55mm (lamp Head)
Height	1600mm
Width	1070mm

Errors and omissions excepted (E&OE). All information is subject to change without notice and is correct at the time of print. Refer to issue number and date below.

Tel: +44 (0)1302 342 642 • mcg.co.uk • [@mcg_industrial](https://twitter.com/mcg_industrial)