

125A 3P+E 415V Wall Socket IP67 c/w PG42 Gland

Product Ref: **CXN1254P415W67**

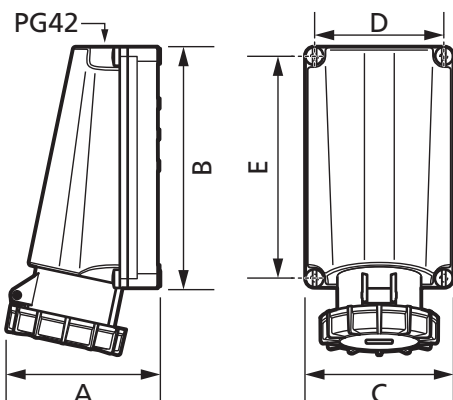
Technical Features:

- Manufactured from thermoplastic - suitable for general use
- Conforms to IEC/EN 60309-1/2
- Fast and simple assembly and wiring, cuts time and costs
- Corrosion and impact resistant
- Colour coded for fast identification of operating voltage
- Safe and reliable
- Typical operating temperature -25°C to +50°C
- Screwless cable grip



Product Specification

Voltage Rating	415V
Current Rating	125A
IP Rating	IP67
Weight	1.735kg
Frequency	50Hz
Number of Poles	3P+E
Terminal size (Range)	25 - 70mm ²
Torque	10 / 0.8Nm (Pilot Pin)
Mounting	Wall
Cable Entry	Top Gland Entry - PG42 Rear knockout
Clamping range (min - max)	32 - 38mm
Colour	Red
Material	Thermoplastic
Compliance	UKCA, CE
Guarantee	1 Year
Standards	IEC/EN 60309-1/2
Supplied With	PG42 Gland
Depth	165mm
Height	330mm
Width	160mm



A	B	C
165mm	330mm	160mm
D	E	
140mm	240mm	

Errors and omissions excepted (E&OE). All information is subject to change without notice and is correct at the time of print. Refer to issue number and date below.

Tel: +44 (0)1302 342 642 • mcg.co.uk • [@mcg_industrial](https://twitter.com/mcg_industrial)