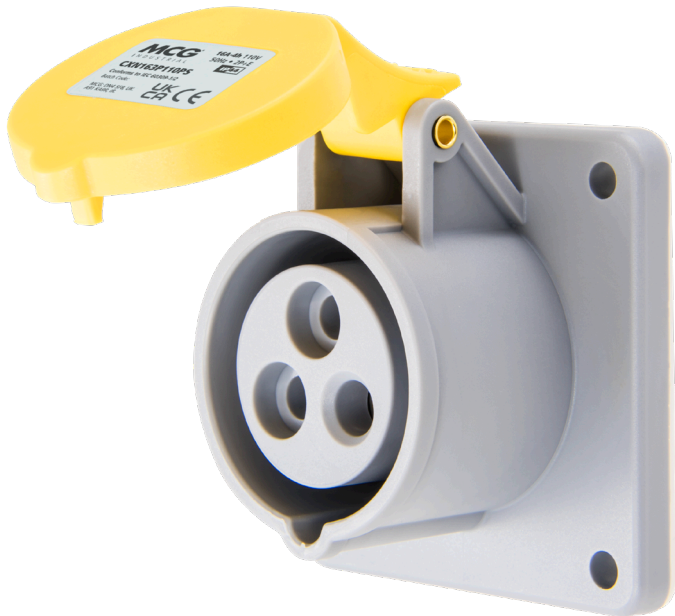


16A 2P+E 110V Panel Mounted Straight Socket IP44

Product Ref: **CXN163P110PS**

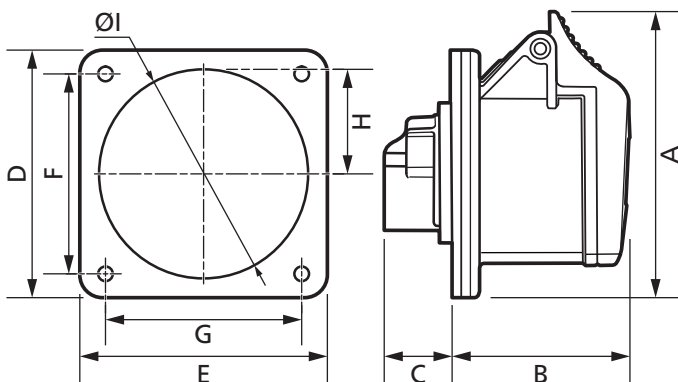
Technical Features:

- Manufactured from thermoplastic - suitable for general use
- Conforms to IEC/EN 60309-1/2
- Fast and simple assembly and wiring, cuts time and costs
- Corrosion and impact resistant
- Colour coded for fast identification of operating voltage
- Safe and reliable
- Complete with gasket
- Typical operating temperature -25°C to 50°C



Product Specification

Voltage Rating	110V
Current Rating	16A
IP Rating	IP44
Weight	0.109kg
Frequency	50Hz
Number of Poles	2P+E
Terminal size (Range)	1.5 - 4mm ²
Torque	0.8Nm
Mounting	Panel
Colour	Yellow
Material	Thermoplastic
Compliance	UKCA, CE
Guarantee	1 Year
Standards	IEC/EN 60309-1/2
Supplied With	Gasket
Type	Straight
Depth	54mm
Height	86mm
Width	75mm



A	B	C	D	E
86mm	54mm	20.5mm	75mm	75mm
F	G	H	Ø1	
60mm	60mm	32mm	64mm	

Errors and omissions excepted (E&OE). All information is subject to change without notice and is correct at the time of print. Refer to issue number and date below.

Tel: +44 (0)1302 342 642 • mcg.co.uk • @mcg_industrial