

16A 2P+E 240V Wall Socket IP67 c/w 20mm Gland

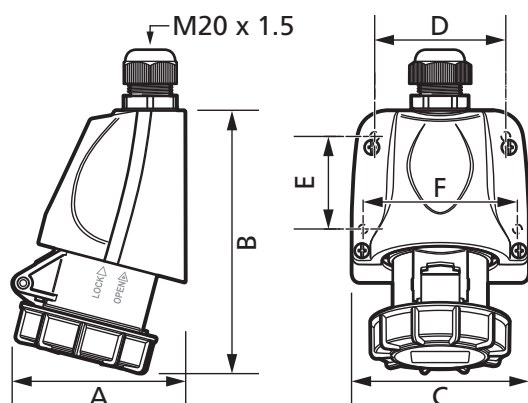
Product Ref: **CXN163P240W67A**

Technical Features:

- Manufactured from thermoplastic - suitable for general use
- Conforms to IEC/EN 60309-1/2
- Fast and simple assembly and wiring, cuts time and costs
- Corrosion and impact resistant
- Colour coded for fast identification of operating voltage
- Safe and reliable
- Typical operating temperature -25°C to +50°C
- Screwless cable grip

Product Specification

Voltage Rating	240V
Current Rating	16A
IP Rating	IP67
Weight	0.256kg
Frequency	50Hz
Number of Poles	2P+E
Terminal size (Range)	1.5 - 4mm ²
Torque	0.8Nm
Mounting	Wall
Cable Entry	Top Gland Entry - M20 x 1.5 Rear knockout
Clamping range (min - max)	10 - 14mm
Colour	Blue
Material	Thermoplastic
Compliance	UKCA, CE
Guarantee	1 Year
Standards	IEC/EN 60309-1/2
Supplied With	20mm Gland
Depth	88mm
Height	135mm
Width	90.5mm



A	B	C
88mm	135mm	90.5mm
D	E	F
68mm	45mm	78mm

Errors and omissions excepted (E&OE). All information is subject to change without notice and is correct at the time of print. Refer to issue number and date below.

Tel: +44 (0)1302 342 642 • mcg.co.uk • [@mcg_industrial](https://twitter.com/mcg_industrial)