

16A 3P+E 415V Coupler IP44

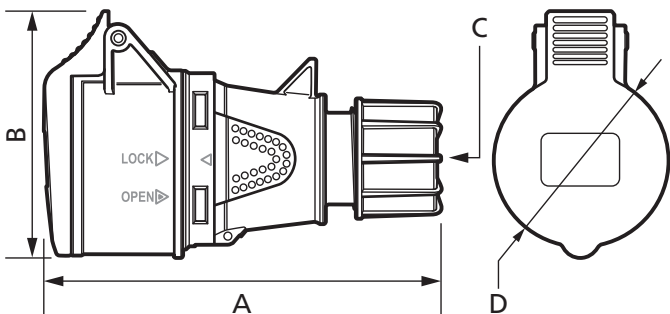
Product Ref: **CXN164P415C**

Technical Features:

- Manufactured from thermoplastic - suitable for general use
- Conforms to IEC/EN 60309-1/2
- Quick release feature
- Fast and simple assembly and wiring, cuts time and costs
- Ergonomic grip
- Corrosion and impact resistant
- Colour coded for fast identification of operating voltage
- Safe and reliable
- Typical operating temperature -25°C to +50°C
- Screwless cable grip

Product Specification

Voltage Rating	415V
Current Rating	16A
IP Rating	IP44
Weight	0.156kg
Frequency	50Hz
Number of Poles	3P+E
Terminal size (Range)	1 - 2.5mm ²
Torque	0.8Nm
Mounting	Trailing
Cable Entry	Compression Gland
Clamping range (min - max)	7 - 15.5mm
Colour	Red
Material	Thermoplastic
Compliance	UKCA, CE
Guarantee	1 Year
Standards	IEC/EN 60309-1/2
Diameter Ø	58mm
Height	83mm
Length	143mm



A	B	C	D
143mm	83mm	15.5mm	58mm

Errors and omissions excepted (E&OE). All information is subject to change without notice and is correct at the time of print. Refer to issue number and date below.

Tel: +44 (0)1302 342 642 • mcg.co.uk • [X@mcg_industrial](mailto:info@mcg_industrial)