

16A 3P+E 415V Wall Socket IP44 c/w 20mm Gland

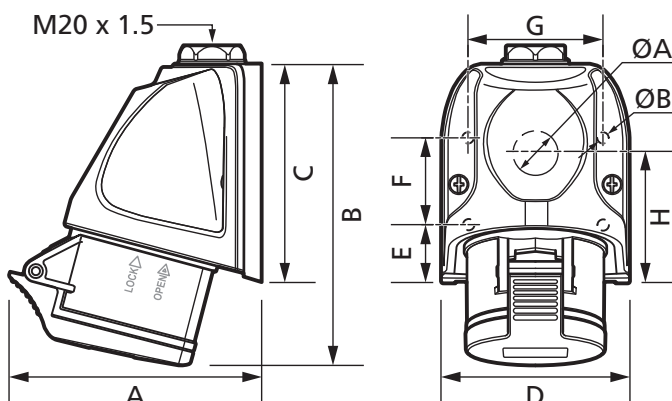
Product Ref: **CXN164P415W20**

Technical Features:

- Manufactured from thermoplastic - suitable for general use
- Conforms to IEC/EN 60309-1/2
- Fast and simple assembly and wiring, cuts time and costs
- Corrosion and impact resistant
- Colour coded for fast identification of operating voltage
- Safe and reliable
- Typical operating temperature -25°C to +50°C
- Screwless cable grip

Product Specification

Voltage Rating	415V
Current Rating	16A
IP Rating	IP44
Weight	0.191kg
Frequency	50Hz
Number of Poles	3P+E
Terminal size (Range)	1.5 - 4mm ²
Torque	0.8Nm
Mounting	Wall
Cable Entry	Top Gland Entry - M20 x 1.5 Rear knockout
Clamping range (min - max)	10 - 14mm
Colour	Red
Material	Thermoplastic
Compliance	UKCA, CE
Guarantee	1 Year
Standards	IEC/EN 60309-1/2
Supplied With	20mm Gland
Depth	98mm
Height	124mm
Width	74.5mm



A	B	C	D	E
98mm	124mm	86mm	74.5mm	24.3mm
F	G	H	ØA	ØB
36mm	52mm	49mm	20mm	5mm

Errors and omissions excepted (E&OE). All information is subject to change without notice and is correct at the time of print. Refer to issue number and date below.

Tel: +44 (0)1302 342 642 • mcg.co.uk • X@mcg_industrial