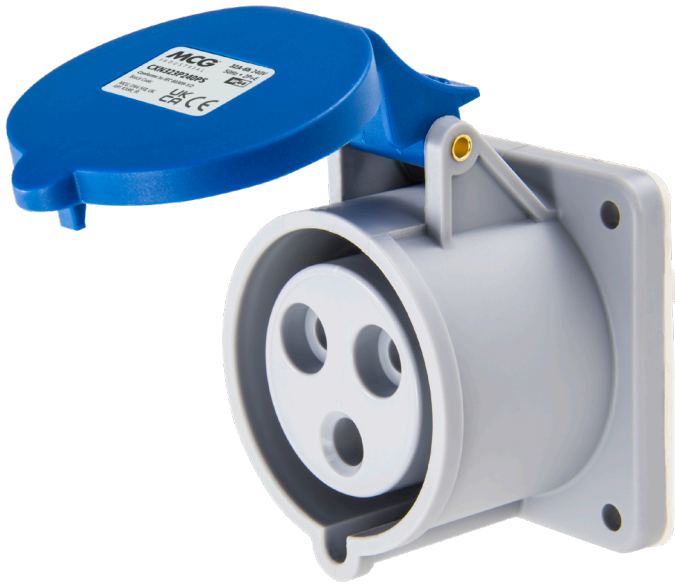


32A 2P+E 240V Panel Mounted Straight Socket IP44

Product Ref: **CXN323P240PS**

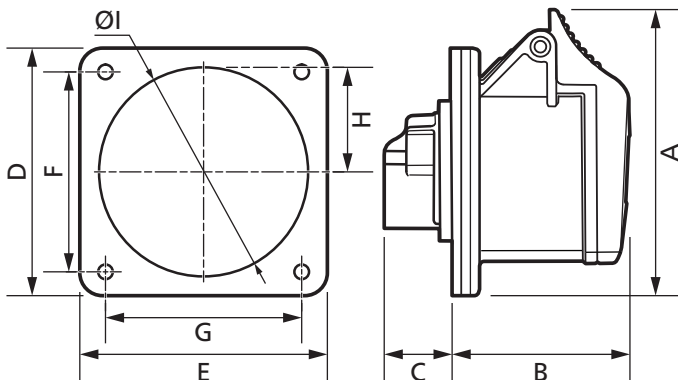
Technical Features:

- Manufactured from thermoplastic - suitable for general use
- Conforms to IEC/EN 60309-1/2
- Fast and simple assembly and wiring, cuts time and costs
- Corrosion and impact resistant
- Colour coded for fast identification of operating voltage
- Safe and reliable
- Complete with gasket
- Typical operating temperature -25°C to 50°C



Product Specification

Voltage Rating	240V
Current Rating	32A
IP Rating	IP44
Weight	0.171kg
Frequency	50Hz
Number of Poles	2P+E
Terminal size (Range)	4 - 16mm ²
Torque	1.2Nm
Mounting	Panel
Colour	Blue
Material	Thermoplastic
Compliance	UKCA, CE
Guarantee	1 Year
Standards	IEC/EN 60309-1/2
Supplied With	Gasket
Type	Straight
Depth	64mm
Height	95.5mm
Width	75mm



A	B	C	D	E
95.5mm	64mm	26mm	75mm	75mm
F	G	H	Ø1	
60mm	60mm	32mm	64mm	

Errors and omissions excepted (E&OE). All information is subject to change without notice and is correct at the time of print. Refer to issue number and date below.

Tel: +44 (0)1302 342 642 • mcg.co.uk • @mcg_industrial