

32A 3P+E 415V Panel Mounted Angled Socket IP67

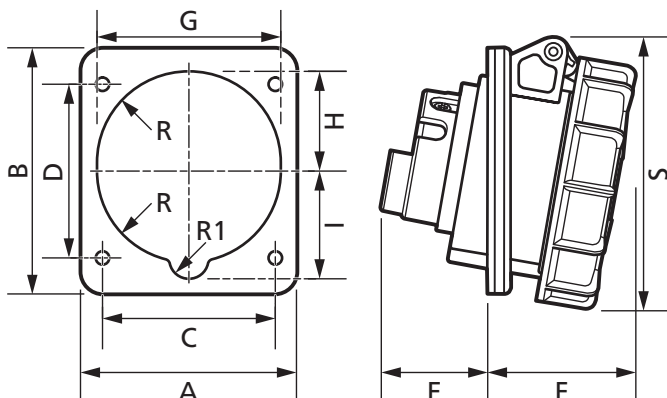
Product Ref: **CXN324P415PA67**

Technical Features:

- Manufactured from thermoplastic - suitable for general use
- Conforms to IEC/EN 60309-1/2
- Fast and simple assembly and wiring, cuts time and costs
- Corrosion and impact resistant
- Colour coded for fast identification of operating voltage
- Safe and reliable
- Complete with gasket
- Typical operating temperature -25°C to 50°C

Product Specification

Voltage Rating	415V
Current Rating	32A
IP Rating	IP67
Weight	0.236kg
Frequency	50Hz
Number of Poles	3P+E
Terminal size (Range)	2.5 - 10mm ²
Torque	1.2Nm
Mounting	Panel
Colour	Red
Material	Thermoplastic
Compliance	UKCA, CE
Guarantee	1 Year
Standards	IEC/EN 60309-1/2
Supplied With	Gasket
Type	Angled
Depth	53.5mm
Height	101mm
Width	75.5mm



A	B	C	D	E	F
75.5mm	86.5mm	61mm	61mm	50mm	53.5mm
G	H	I	R	R1	S
64mm	35mm	38mm	32mm	7mm	101mm

Errors and omissions excepted (E&OE). All information is subject to change without notice and is correct at the time of print. Refer to issue number and date below.

Tel: +44 (0)1302 342 642 • mcg.co.uk • [@mcg_industrial](https://twitter.com/mcg_industrial)