

23 to 32A Thermal Overload Relay

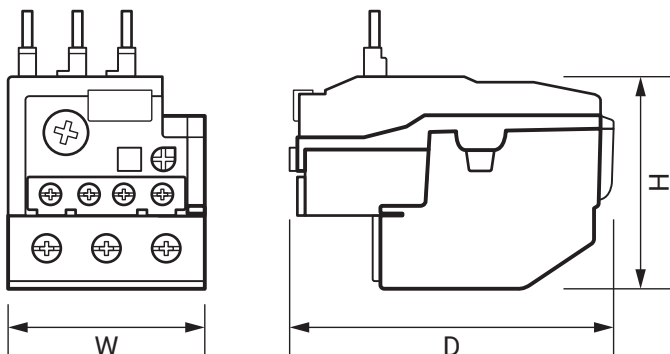
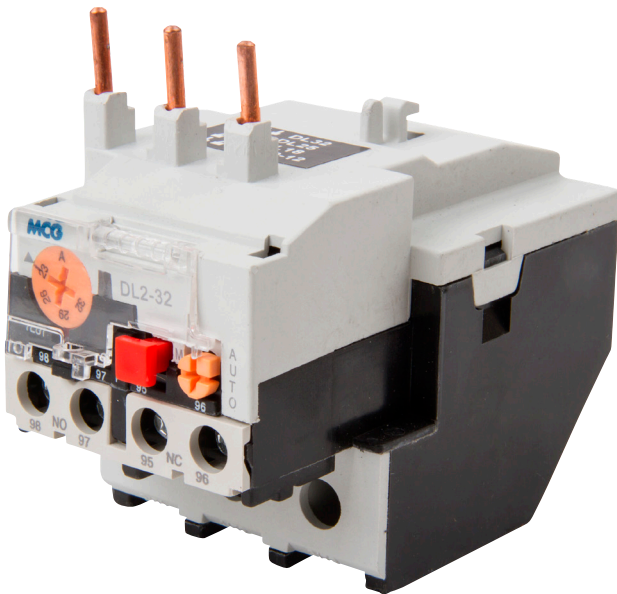
Product Ref: **DL2-32**

Technical Features:

- Manual/automatic reset
- Red stop plunger
- Adjustable overload range
- 1NO and 1NC auxiliary as standard
- Suitable for direct mounting onto contactor

Product Specification

Overload Rating	23 - 32A
Mounting	Contactor / Optional Mounting Bracket
Weight	0.228kg
Frequency	50/60Hz
Colour	Black/Grey
Material	Metal/Plastic
Compliance	UKCA, CE
Guarantee	1 Year
Standards	IEC 60947-4-1
Suitable for	DL Range of Contactors
Depth	89mm
Height	48mm
Width	45mm



Errors and omissions excepted (E&OE). All information is subject to change without notice and is correct at the time of print. Refer to issue number and date below.

Tel: +44 (0)1302 342 642 • mcg.co.uk • [X@mcg_industrial](mailto:info@mcg_industrial)