

20W 110V LED Task Light IP54

Product Ref: **LEDTL20W 110V**

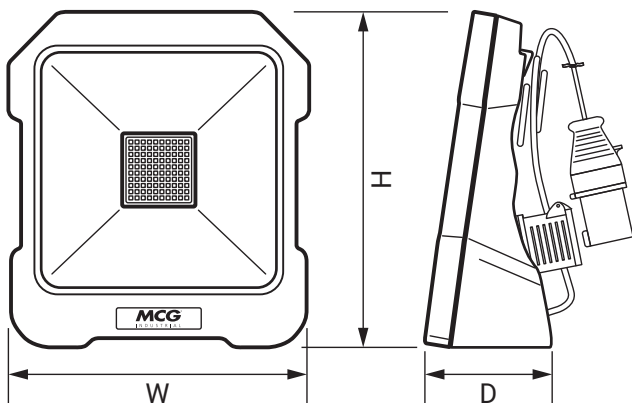
Technical Features:

- Tough nylon body
- Mirror reflector
- Floor standing with 3m power cable
- Efficient LED reducing running costs
- c/w 110V IP44 plug
- 110V AC IP44 16A power socket (rear mounted)



Product Specification

Wattage	20W
Voltage Rating	110V AC
IP Rating	IP54
Weight	1.580kg
Cable Length	3m
Frequency	50/60Hz
Number of Sockets	1
Operating Temperature	-10 to +40°C
Beam Angle	120°
Mounting	Free Standing
Colour Temperature	6400k
Lumens	2000lm
Lamp Life	30000 hours
Colour	Yellow
Material	Nylon
Supplied With	16A CEE Plug and Rear Mounted Socket. 6.25A current (Max. 1000W)
Class	Class 2
Compliance	UKCA, CE
Guarantee	1 Year
Standards	EN 60598
Depth	125mm
Height	270mm
Width	240mm



Errors and omissions excepted (E&OE). All information is subject to change without notice and is correct at the time of print. Refer to issue number and date below.

Tel: +44 (0)1302 342 642 • mcg.co.uk • X@mcg_industrial