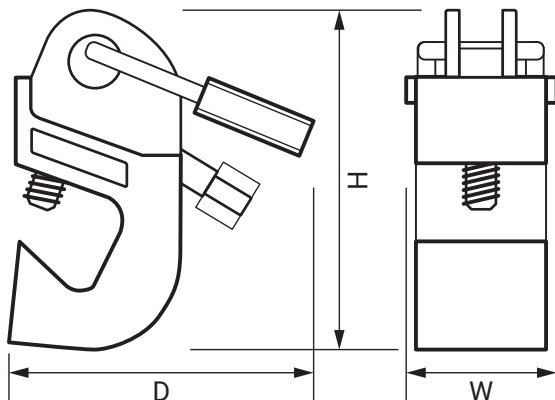


Mini Lockout Kit

Product Ref: **LOTO KIT A**

Technical Features:

- Lockout kit contains circuit breaker lockout and compatible brass padlock
- Install quickly and easily without any tools
- Featuring a compact universal design that fits a wide variety of single, double and triple handle circuit breakers
- Easily attached with no modifications to the panel or circuit breaker
- Padlockable once secured in place
- To install, the user simply puts the circuit breaker handle to the 'OFF' position, places the lockout over the handle, tightens the set screw by hand, rotates the toggle and applies the padlock and a tag (sold separately)



Product Specification

Lockout Type	Grip Tight
Weight	0.047kg
Colour	Red / Brass
Material	Brass/Steel and Nylon
Number of Keys	2
Shackle Clearance	14mm
Shackle Diameter	3mm
Kit Contents	1 x No Tool Circuit Breaker Lockout; 1 x Padlock Brass (2 Keys)
Compliance	UKCA, CE
Guarantee	1 Year
Suitable for	For use with single, double and triple handle circuit breakers
Depth	44mm
Height	52mm
Width	25mm

Errors and omissions excepted (E&OE). All information is subject to change without notice and is correct at the time of print. Refer to issue number and date below.

Tel: +44 (0)1302 342 642 • mcg.co.uk • [X@mcg_industrial](mailto:info@mcg_industrial)