

## Universal Team Lockout Kit

Product Ref: **LOTO KIT E**

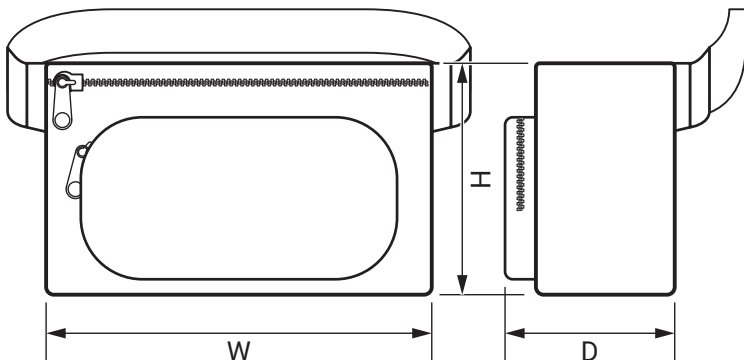
### Technical Features:

- Lockout kit provides enough equipment for a small team of installers to operate safely
- All packed in a zipped bag



## Product Specification

Colour	Red
Weight	0.827kg
Kit Contents	3 x Safety Padlocks (3 Keys); 1 x MCB Toggle Lock Aluminium; 1 x MCB Lockout Pin In; 1 x MCB Lockout Pin Out; 1 x Grip Tight MCB Lockout (Sideways); 1 x Grip Tight MCB Lockout (Over Toggle); 1 x Steel Lockout Hasp; 5 x Reusable Lockout Tags; 5 x Cable Ties; 1 x Pen 1 x Canvas Waist Pouch
Compliance	UKCA, CE
Shackle Clearance	20 x 38mm
Standards	BS 7671:2018 / PUWER 1998
Depth	100mm
Height	120mm
Width	240mm



Errors and omissions excepted (E&OE). All information is subject to change without notice and is correct at the time of print. Refer to issue number and date below.

Tel: +44 (0)1302 342 642 • [mcg.co.uk](http://mcg.co.uk) • [X@mcg\\_industrial](mailto:info@mcg_industrial)