

16mm IP68 Blanking Plug with Locknut Black

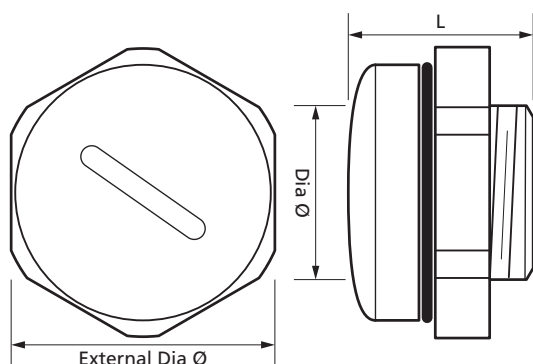
Product Ref: **M16BP BLACK**

Technical Features:

- Nylon plastic construction
- Ambient temperature -40°C to 80°C

Product Specification

IP Rating	IP68
Weight	0.003kg
Size	M16
Colour	Black
Material	Nylon Plastic
Compliance	UKCA, CE
Guarantee	1 Year
Standards	BS EN/EN 62444 - Cable glands for electrical installations
Diameter Ø	12mm
External Diameter Ø	24mm
Length	12mm



Errors and omissions excepted (E&OE). All information is subject to change without notice and is correct at the time of print. Refer to issue number and date below.

Tel: +44 (0)1302 342 642 • mcg.co.uk • [@mcg_industrial](https://twitter.com/mcg_industrial)