

16mm IP68 Compression Gland with Locknut White

Product Ref: **M16GW**

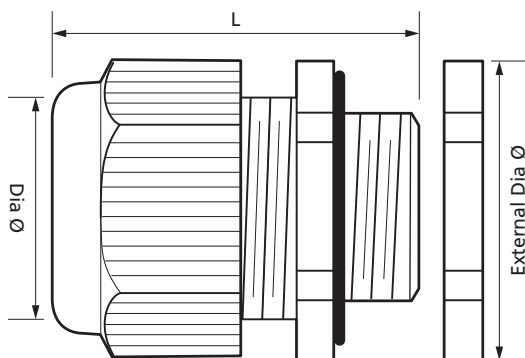
Technical Features:

- Nylon plastic construction
- Nitrile rubber hermetic seal
- Protection degree: IP68
- Ambient temperature quiescent state -40°C to +100°C (short time to 120°C)
- Dynamic -20°C to +80°C (short time to 100°C)
- Designed for use with round cable only



Product Specification

IP Rating	IP68
Weight	0.006kg
Size	M16 x 1.5
Cable Size Range	4 - 8mm ²
Colour	White
Material	Nylon Plastic
Compliance	UKCA, CE
Guarantee	1 Year
Standards	BS EN/EN 62444 - Cable glands for electrical installations
Suitable for	4 - 8mm Diameter Cable
Diameter Ø	16mm
External Diameter Ø	24mm
Length	33mm



Errors and omissions excepted (E&OE). All information is subject to change without notice and is correct at the time of print. Refer to issue number and date below.

Tel: +44 (0)1302 342 642 • mcg.co.uk • [@mcg_industrial](https://twitter.com/mcg_industrial)