

## 20mm IP68 Blanking Plug with Locknut Black

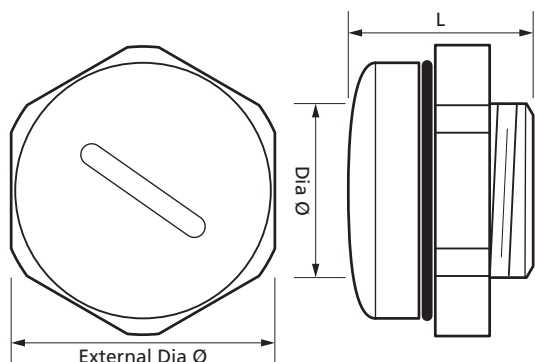
Product Ref: **M20BP BLACK**

### Technical Features:

- Nylon plastic construction
- Ambient temperature -40°C to 80°C

## Product Specification

IP Rating	IP68
Weight	0.005kg
Size	M20
Colour	Black
Material	Nylon Plastic
Compliance	UKCA, CE
Guarantee	1 Year
Standards	BS EN/EN 62444 - Cable glands for electrical installations
Diameter Ø	20mm
External Diameter Ø	30mm
Length	13mm



Errors and omissions excepted (E&OE). All information is subject to change without notice and is correct at the time of print. Refer to issue number and date below.

Tel: +44 (0)1302 342 642 • [mcg.co.uk](http://mcg.co.uk) • [@mcg\\_industrial](https://twitter.com/mcg_industrial)