

Contractor Lockout Kit

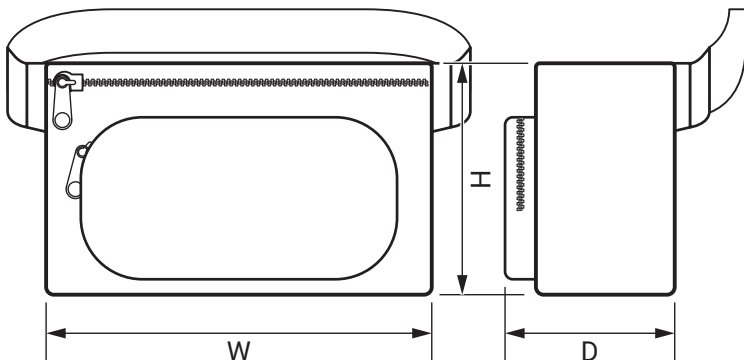
Product Ref: **MCB-KIT1N**

Technical Features:

- Kit is designed for a contractor working on commercial, industrial or domestic installations and routine maintenance schedules
- All packed in a zipped bag

Product Specification

Colour	Red
Weight	0.585kg
Kit Contents	1 x Red Safety Padlock (1 Key); 1 x Universal MCB Lockout; 1 x MCB Lockout Pin In; 1 x MCB Lockout Pin Out; 1 x Grip Tight MCB Lockout (Sideways); 1 x Grip Tight MCB Lockout (Over Toggle); 1 x Steel Lockout Hasp; 5 x Reusable Lockout Tags; 5 x Cable Ties; 1 x Non-Permanent Pen; 1 x Zipped Carry Bag
Compliance	UKCA, CE
Shackle Clearance	20 x 38mm
Standards	BS 7671:2018 / PUWER 1998
Depth	100mm
Height	120mm
Width	240mm



Errors and omissions excepted (E&OE). All information is subject to change without notice and is correct at the time of print. Refer to issue number and date below.

Tel: +44 (0)1302 342 642 • mcg.co.uk • @mcg_industrial