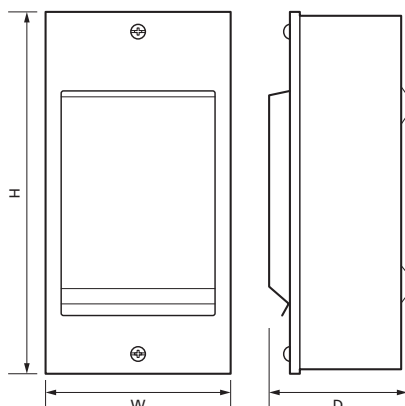


## 3 Module Large Metal Enclosure with Lid

Product Ref: **ME3L**

### Technical Features:

- Fully enclosed metal construction body with drop-down metal cover, DIN rail and earth bar
- Raised keyholes for secure easy installation
- Multiple circular cable entry knockouts top and bottom (M20 and M25)
- Finished in white polyester powder coating to RAL9010
- IP20 protection



## Product Specification

IP Rating	IP20
Weight	0.900kg
Number of Modules	3
Mounting	Surface
Cable Entry	Knockouts (M20 and M25)
Din Rail	Yes
Colour	White
Finish	Polyester Powder Coated
Door Type	Top Hinged
Material	Steel
Compliance	UKCA, CE
Guarantee	1 Year
Depth	82mm
Height	225mm
Width	115mm

Errors and omissions excepted (E&OE). All information is subject to change without notice and is correct at the time of print. Refer to issue number and date below.

Tel: +44 (0)1302 342 642 • [mcg.co.uk](http://mcg.co.uk) • [@mcg\\_industrial](https://twitter.com/mcg_industrial)