

## Steel Lockout Hasp 25mm

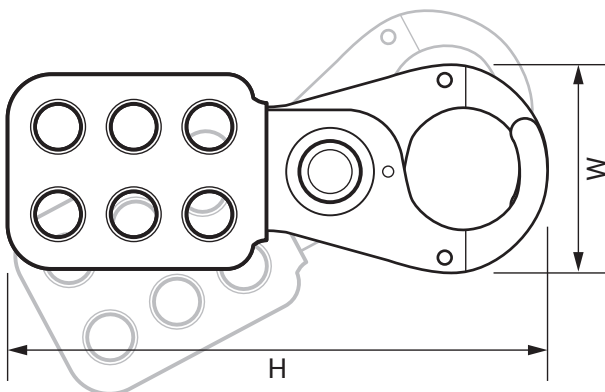
Product Ref: **MLH5**

### Technical Features:

- Manufactured from steel
- Highly visible red plastic coated body
- Easy to apply
- Accepts up to 6 padlocks with a shackle diameter up to 10mm
- Scissor action
- Jaw diameter: 25mm

## Product Specification

Colour	Red
Weight	0.100kg
Material	Stainless Steel
Jaw Capacity	25mm
Compliance	UKCA, CE
Guarantee	1 Year
Suitable for	Padlocks with a shackle diameter up to 10mm
Depth	10mm
Height	115mm
Width	45mm



Errors and omissions excepted (E&OE). All information is subject to change without notice and is correct at the time of print. Refer to issue number and date below.

Tel: +44 (0)1302 342 642 • [mcg.co.uk](http://mcg.co.uk) • [info@mcg\\_industrial](mailto:info@mcg_industrial)