

Product Ref:

MMSB8R

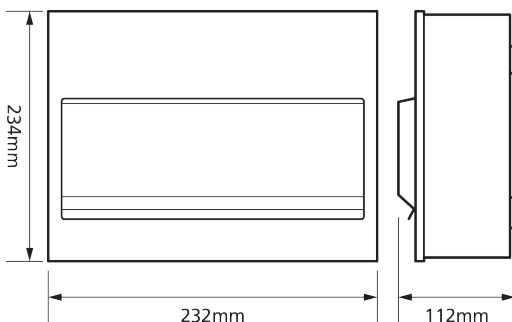
8 Way Metal Consumer Unit RCD Controlled

Specification



Features:

- Complete with fully fitted and pre-wired 2 pole 80A 30mA RCD device
- Ferruled cable ends for secure connections
- Fully enclosed metal construction body with drop-down metal cover. Raised keyholes for secure easy installation
- Multiple circular cable entry knockouts (M25, M32 and M40) plus rear aperture/rounded cable entries
- Finished in white polyester powder coating to RAL9010
- BS 7671 Amendment 3:2015 and BS EN 61439-3 compliant



Voltage Rating	230V
Current Rating	80A
RCD Rating	80A
IP Rating	IP20
Weight	2.185kg
Width	232mm
Height	234mm
Depth	112mm
Incoming Device	80A 30mA RCD
Number of Outgoing ways	8
Board Configuration	8
Cable Entry	Knockouts (M25, M32 and M40)
Supplied With	1 x 80A 30mA 2 Pole RCD
Mounting	Surface
Colour	White
Finish	Polyester Powder Coated
Material	Steel
Compliance	CE
Guarantee	1 Year
Standards	BS 7671 Amendment 3:2015, BS EN 61439-3

Errors and omissions excepted (E&OE). All information is subject to change without notice and is correct at the time of print. Refer to issue number and date below.