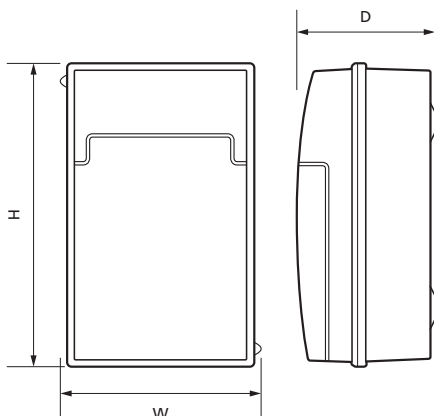


Metal Shower Unit IP65 with 63A RCD and 50A MCB

Product Ref: **MSU6350IP65**

Technical Features:

- Complete with fully fitted and pre-wired RCD and MCB
- Fully enclosed metal construction body with drop-down metal cover and retaining clip. Raised keyholes for secure easy installation. Multiple circular cable entry knockouts (M20). Finished in white polyester powder coating to RAL9010
- Accessories pack includes glands, screw caps and blanking module plus a full set of self adhesive graphic or textural, warning and fixing date labels
- Split load neutral connections - prevents hot spots
- BS 7671 Amendment 3:2015 and BS EN 61439-3 compliant



Product Specification

| | |
|-------------------------|---|
| Voltage Rating | 230V |
| Current Rating | 63A |
| RCD Rating | 63A |
| IP Rating | IP65 |
| Weight | 1.455kg |
| Number of Outgoing ways | 1 |
| Cable Entry | Knockouts (M20) |
| Supplied With | 1 x 63A 30mA 2 Pole RCD 1 x 50A MCB Type B |
| Incoming Device | 63A 30mA RCD |
| Mounting | Surface |
| Colour | White |
| Finish | Polyester Powder Coated |
| Material | Steel |
| Compliance | UKCA, CE |
| Guarantee | 1 Year |
| Standards | BS 7671 Amendment 3:2015, BS EN 61439-3 |
| Depth | 104mm |
| Height | 220mm |
| Width | 145mm |

Errors and omissions excepted (E&OE). All information is subject to change without notice and is correct at the time of print. Refer to issue number and date below.

Tel: +44 (0)1302 342 642 • mcg.co.uk • [@mcg_industrial](https://twitter.com/mcg_industrial)