

Key Operation ON-OFF Switch Station Metal - IP65

Product Ref: **PBS1 K/M**

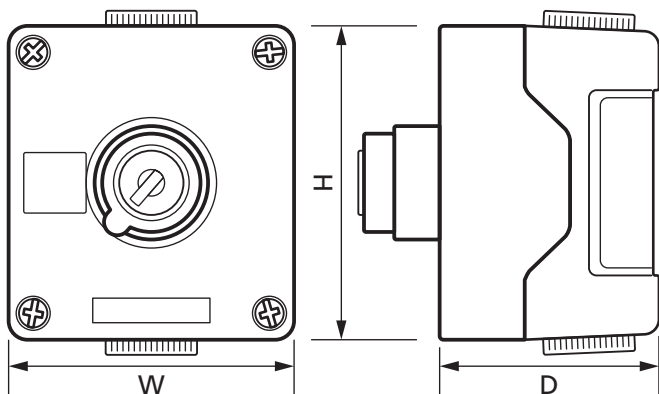
Technical Features:

- Compact dimensions
- Multiple cable entries
- Surface mounting
- IP65
- Conforms to EN60947-5-1
- Complete with legend plate stickers including: START, STOP, ON, OFF, directional arrows and many more
- c/w 2 keys and 1 x NO Contact Block
- Device is latching, the key is removable in both on and off positions



Product Specification

IP Rating	IP65
Weight	0.396kg
Number of Positions	2
Number of Ways	1
Cable Entry	Knockouts (M20)
Mounting	Surface
Contact Configuration	1 NO
Colour	Grey
Material	Die-Cast Aluminium
Compliance	UKCA, CE
Guarantee	1 Year
Standards	EN60947-5-1
Operation Type	Key Operated
Supplied With	2 x Keys
Depth	68mm
Height	74mm
Width	50mm



Errors and omissions excepted (E&OE). All information is subject to change without notice and is correct at the time of print. Refer to issue number and date below.

Tel: +44 (0)1302 342 642 • mcg.co.uk • [@mcg_industrial](https://twitter.com/mcg_industrial)