

Product Ref:

PG9G

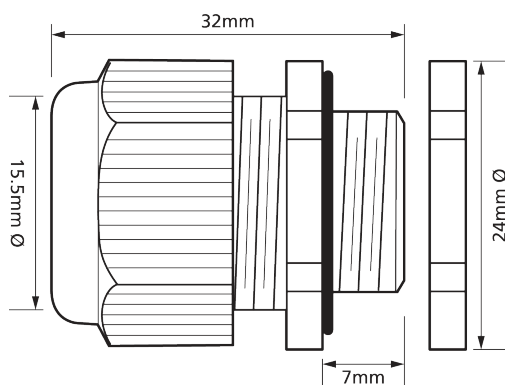
PG9 IP68 Compression Gland with Locknut Grey

Specification



Features:

- Nylon plastic construction
- Nitrile rubber hermetic seal
- Protection degree: IP68
- Ambient temperature quiescent state -40°C to +100°C (short time to 120°C)
- Dynamic -20°C to +80°C (short time to 100°C)
- Designed for use with round cable only



Voltage Rating	N/A
Current Rating	N/A
IP Rating	IP68
Weight	7g
Width	N/A
Length	32mm
Height	N/A
Depth	N/A
Diameter Ø	15.5mm
External Diameter Ø	24mm
Number of Poles	N/A
Size	PG9
Thread Size	7mm
Mounting	N/A
Cable Entry	N/A
Gland Plates	N/A
Lid Type	N/A
Mounting Plates	N/A
Cable Size Range	4 - 8mm ²
Colour	Grey
Finish	N/A
Material	Nylon Plastic
Class	N/A
Compliance	CE
Guarantee	1 Year
Standards	EN 60947-1:2004
Suitable for	4 - 8mm Diameter Cable

Errors and omissions excepted (E&OE). All information is subject to change without notice and is correct at the time of print. Refer to issue number and date below.