

14m 1.5mm 16A 2P+E 110V Yellow Site Extension Lead

Product Ref: **SEL1415 110V**

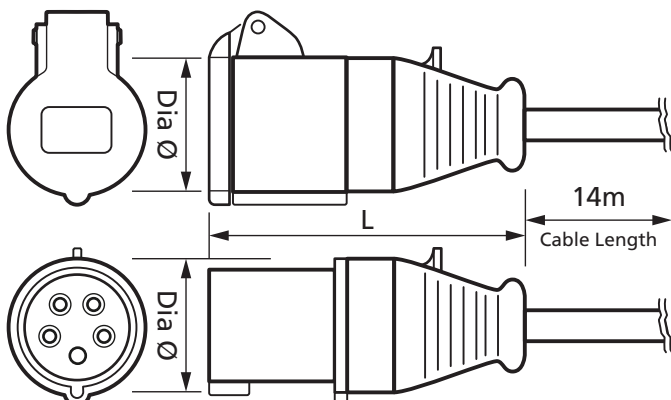
Technical Features:

- Ideal for industrial on site applications
- Arctic grade cable
- Fitted with 16A 2P+E plug and coupler
- IP44 rated



Product Specification

Voltage Rating	110V
Current Rating	16A
IP Rating	IP44
Weight	1.640kg
Cable Size	1.5mm ²
Colour	Yellow
Material	Plastic
Supplied With	16A 2P+E 110V plug and coupler
Compliance	UKCA, CE
Guarantee	1 Year
Standards	IEC 60309-2
Cable Length	14m
Cable Diameter Ø	1.5mm
Diameter Ø	66mm
Length	116mm



Errors and omissions excepted (E&OE). All information is subject to change without notice and is correct at the time of print. Refer to issue number and date below.

Tel: +44 (0)1302 342 642 • mcg.co.uk • [@mcg_industrial](https://twitter.com/mcg_industrial)