

## 1.5mm 240V 16A Blue BS4343 14m Site Extension Lead

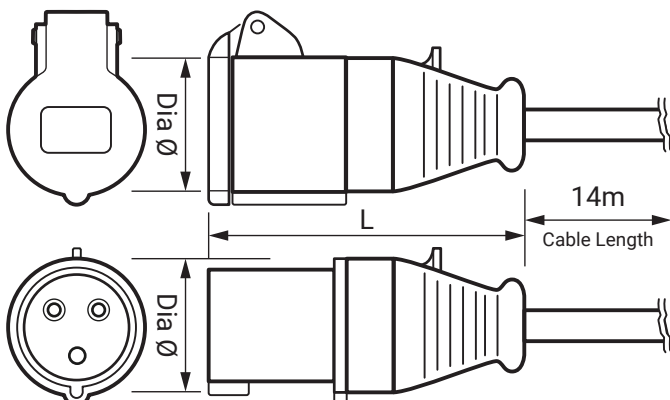
Product Ref: **SEL1415 240V**

### Technical Features:

- 14m 1.5mm<sup>2</sup> Blue Extension Lead
- Ideal for Industrial on site applications
- Fitted with 16A 2P+E 240V IP44 plug and Coupler

## Product Specification

Voltage Rating	240V AC
Current Rating	16A
IP Rating	IP44
Weight	1.772kg
Cable Length	14m
Cable Diameter Ø	1.5mm <sup>2</sup>
Frequency	50/60Hz
Colour	Blue
Material	Plastic
Supplied With	16A 2P+E 240V IP44 plug and Coupler
Compliance	UKCA, CE
Guarantee	1 Year
Standards	EN50525-2-11/ EN60309
Diameter Ø	50mm
Length	119mm



Errors and omissions excepted (E&OE). All information is subject to change without notice and is correct at the time of print. Refer to issue number and date below.

Tel: +44 (0)1302 342 642 • mcg.co.uk • @mcg\_industrial