

2.5mm 240V 16A Blue BS4343 14m Site Extension Lead

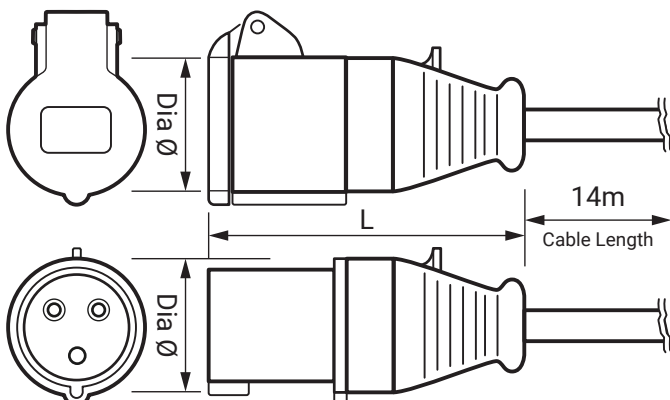
Product Ref: **SEL1425 240V**

Technical Features:

- 14m 2.5mm² Blue Extension Lead
- Ideal for Industrial on site applications
- Fitted with 16A 2P+E 240V IP44 plug and Coupler

Product Specification

Voltage Rating	240V AC
Current Rating	16A
IP Rating	IP44
Weight	2.600kg
Cable Length	14m
Cable Diameter Ø	2.5mm ²
Frequency	50/60Hz
Colour	Blue
Material	Plastic
Supplied With	16A 2P+E 240V IP44 plug and Coupler
Compliance	UKCA, CE
Guarantee	1 Year
Standards	EN50525-2-11/ EN60309
Diameter Ø	50mm
Length	119mm



Errors and omissions excepted (E&OE). All information is subject to change without notice and is correct at the time of print. Refer to issue number and date below.

Tel: +44 (0)1302 342 642 • mcg.co.uk • [X@mcg_industrial](mailto:info@mcg_industrial)